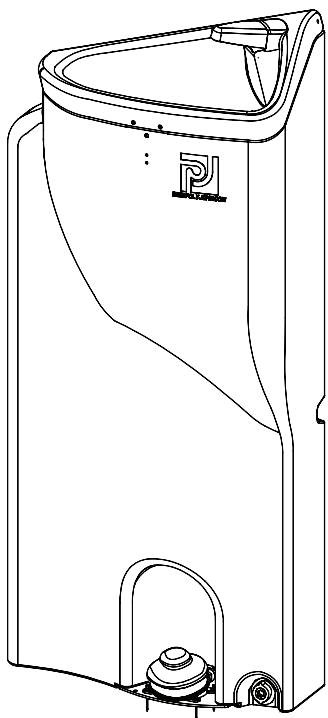




POLYJOHN®

# PSN1 Series Wash Stand Installation Instructions



## SPECIFICATIONS

DIMENSION	IMPERIAL	METRIC
Height	43.5 in.	110 cm
Width	20 in.	50 cm
Depth	9 in.	22 cm
Tank Capacity	15 gal.	56.8 ltr.
Pump Capacity (per stroke)	2 fl. oz	59.14 ml
Number of Single Dispenses	960	960
Weight Empty	20.5 lb.	9.3 kg.
Weight Full	145 lb.	65.8 kg.

All materials, including resin, pigments and additives used to make the plastic components as well as the plumbing components that come in contact with the fresh water are U.S. FDA food grade compliant.

We recommend reading through the entire instructions prior to proceeding with installation, service and maintenance. All references to the left and right throughout the entire instructions are as viewed from the front of the restroom.

### **POLYJOHN USA**

PolyJohn Enterprises Corp  
2500 Gaspar Ave.  
Whiting, IN 46394  
Phone: 800-292-1305  
Fax: 219-659-0625  
www.polyjohn.com  
info@polyjohn.com

### **POLYJOHN WORLDWIDE**

PolyJohn (UK) Ltd.  
Equinox 1 Audby Lane  
Wetherby, England LS22 7RD  
Phone: 44 (0) 1937-583333  
Fax: 44 (0) 1937-583322  
sales@polyjohn.co.uk

### **POLYJOHN CANADA**

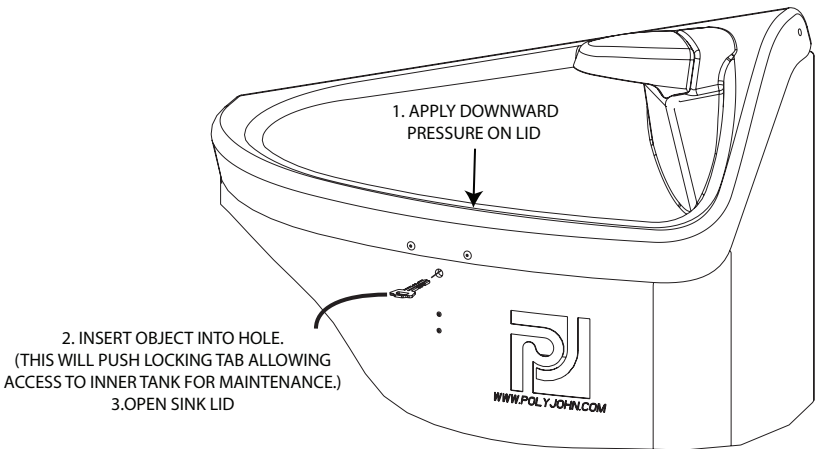
PolyJohn Canada  
P.O. Box 2300  
199 Forest Plain Rd.  
Orillia, Ontario LV3 6S2  
Phone: 800-465-9590  
Fax: 705-325-8250  
info@polyjohncanada.ca

## General Product Overview

This self-contained hand wash sink is designed specifically for the PJN3 SERIES 2001 portable restroom. However, the PSN1 Series sink can be installed in an older PJ03 as well. It is supplied fully assembled including all fasteners for installation and will fit on either sidewall. One person will be required to install the sink with the exception of some assistance to hold the back-up washers when riveting the sink to a sidewall.

The sink bowl is attached to the sink tank with (2) PC-000107 rivets that act as hinges. There is an internal spring snap button located on the top right side of the bowl, which will hold the bowl in the up position for service and maintenance. To lower the bowl, simply depress the snap button.

The fresh water intake port of the pump is plumbed directly into the bottom of the sink tank and the outlet port is connected using quick release fittings and a 3/8" diameter tube to the sink spigot.



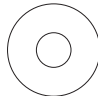
## IMPORTANT DECALS

**NOT FOR COOKING OR DRINKING**, is required by law in certain areas of the U.S. Other geographical areas require that the materials used to manufacture the sinks comply with the U.S. Federal Food and Drug Administration (FDA) guidelines 21 CFR 175.300 (resins), 177.1520 (olefin polymers) and 178.3297 (colorants for polymers). The materials also comply with the U.S. Public Health Service Drinking Water Standards, 42 CFR part 72 and U.S. Environmental Protection Agency Interim Primary Drinking Water Regulations 40 CFR part 141.

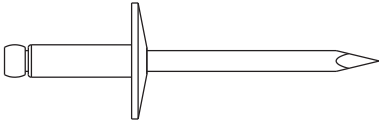
**HANDS FREE SINK**, instruction for user to use foot pump to operate the sink.

**UNIT MUST BE DRAINED BEFORE TRANSPORTING**, reminds service operator to empty the sink before transporting.

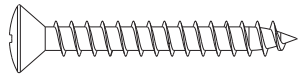
## **Full Size Scale of Fasteners**



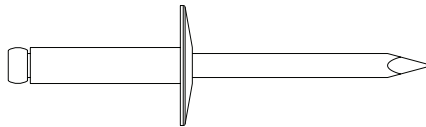
(4) PC-000106-  
Back-up Washer



(2) PC-000100 - Rivet  
Large flange



(1) PC-000158 -  
Self-Tapping Screw

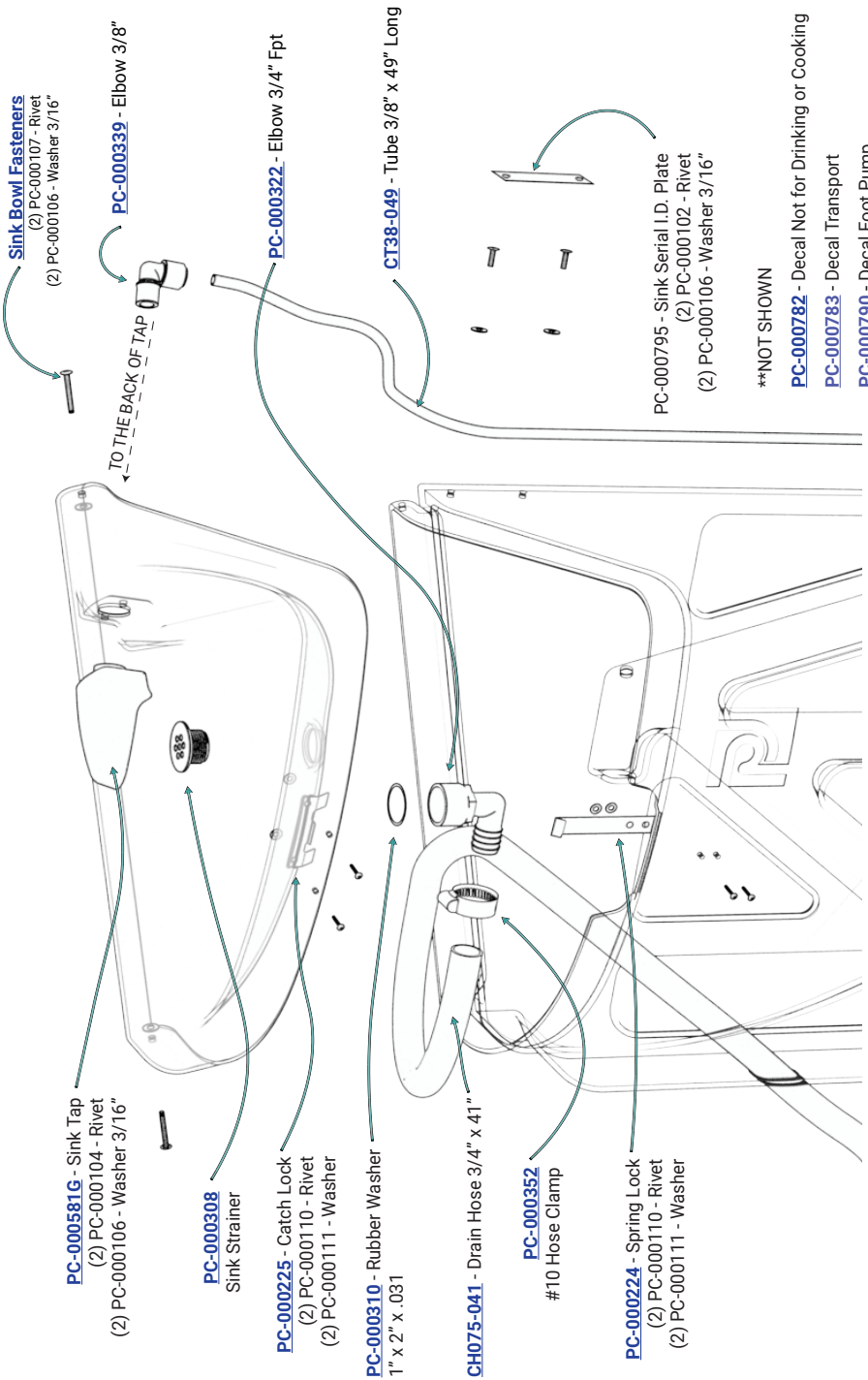


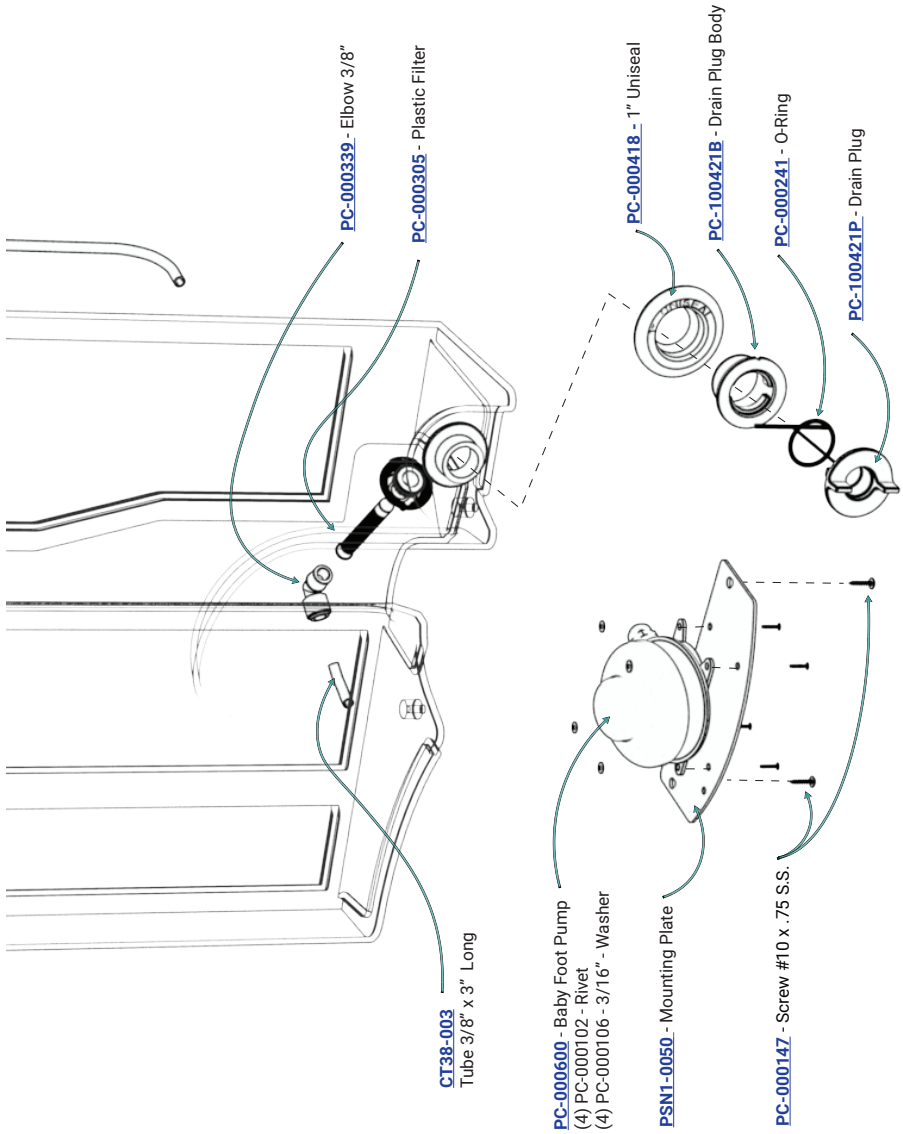
(2) PC-000103 - Rivet  
Large flange

## **Tools Required For Installation**

- Phillips, cross-head screwdriver
  - Drill with 13/64" bit
  - 1 1/8" hole saw
    - Rivet Gun
  - Tape measure

# Parts Drawing - Exploded View





## Installation

### Left Wall Installation

Refer to Illustrations. Remove urinal by drilling out the two rivets holding it in place. Before installing the sink, a 1-1/8" drain hole that will accept the drain hose must be cut in the waste tank. This hole should be located on the top left front edge of the waste tank approximately 16-1/2" up from the floor and below the urinal drain hole (as shown to the right, a 2-1/2" plug PC-000557 is available to cover the urinal drain hole).

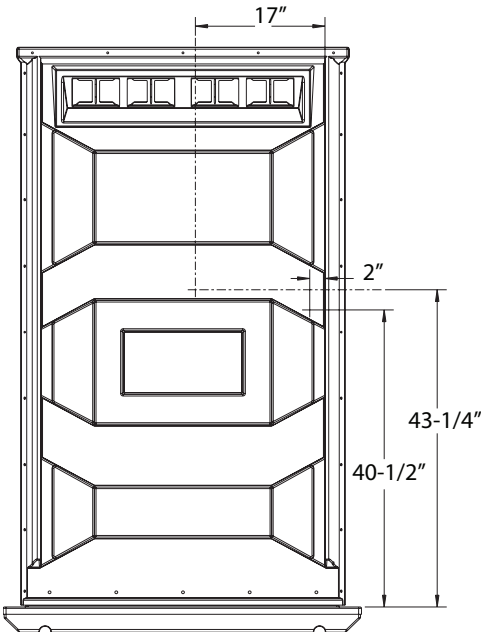
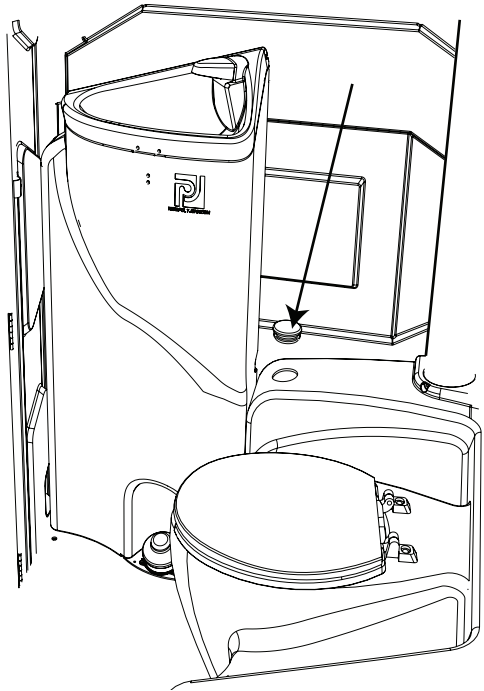
Fill the exposed rivet holes left by the urinal, from the inside of the unit. Install (2) PC-000100 rivets with (2) PC-000106 back-up washers on the exterior.

From the exterior, drill two 13/64" holes (as indicated below) through the sidewall and the back of the sink, be sure the sink is pressed flat against the sidewall. Fasten the sink to the side from the exterior with (2) PC-000103 rivets and (2) PC-000106 back-up washers on the inside of the sink.

Attach sink to base skid; Drive (1) PC-000158 self-tapping screw in the predrilled hole in the sink mounting plate.

Perform a system check by adding a few gallons of water to the sink. Depress the pump a few times to "prime" it. The pump has a built in check valve that will hold the prime between uses.

Installation is complete.



## Installation (Continued)

### Right Wall Installation

Before installing the sink, a 1-1/8" drain hole that will accept the drain hose must be cut in the waste tank. This hole should be located on the top right front edge of the waste tank approximately 15-1/2" up from the floor.

From the exterior, drill two 13/64" holes through the sidewall and the back of the sink (as indicated below) be sure the sink is pressed flat against the sidewall.

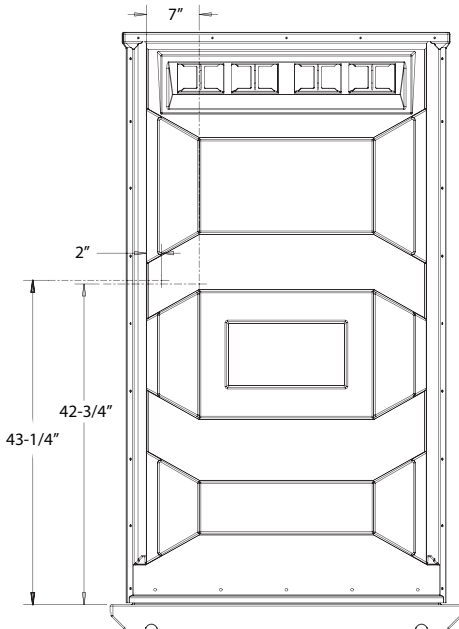
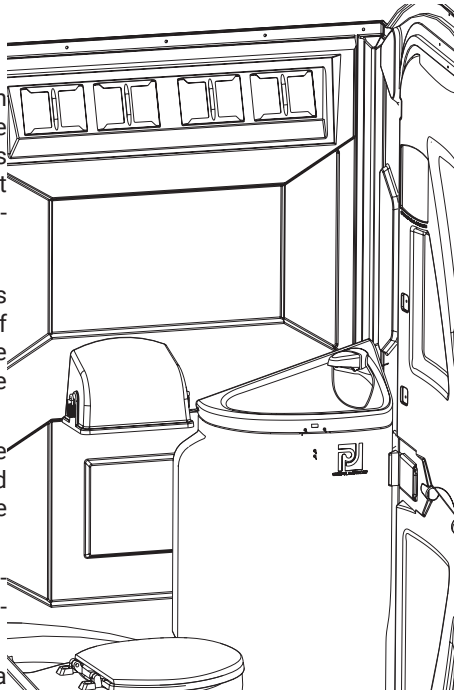
Fasten the sink to the side from the exterior with (2) PC-000103 rivets and (2) PC-000106 back-up washers on the inside of the sink.

Attach sink to base skid; Drive (1) PC-000158 self-tapping screw in the pre-drilled hole in the sink mounting plate.

Perform a system check by adding a few gallons of water to the sink. Depress the pump a few times to "prime" it.

The pump has a built in check valve that will hold the prime between uses.

Installation is complete.



## **Winterizing**

- Drain all water from the tanks.
- Flush tank with a solution of chlorine and water.
- Depress the foot pump to clear lines.

## **CLEANING AND MAINTENANCE**

Use a mild soap to clean all surfaces and component parts.

Minor scratches and abrasions can be lightly sanded or scrubbed with a mild abrasive cleaner (such as "Soft Scrub") that contains calcium carbonate, hypochlorate bleach and detergents. Be sure to follow the cleaning product directions since these ingredients may cause hazardous gases when mixed with other chemicals. Rinse the cleaned area and buff with a conventional wax.

Some light scratches may also be hidden by using an industrial hot air gun.

To keep the water fresh add a "Fresh Sink Tablet" (chlorinated tablet) each time the sink is filled with water.

For a source of cleaning, deodorizing and paper products contact:

COOPER'S OWN  
2500 GASPAR AVE.  
WHITING, IN 46394-2175  
[www.polyjohn.com/products/supplies/cooper-s-own](http://www.polyjohn.com/products/supplies/cooper-s-own)

We highly recommend membership in the Portable Sanitation Association International (PSAI); the worldwide authority on portable sanitation services. The PSAI, "Portable Sanitation Industry Certification Program" manual contains a wealth of information on standards and service procedures. For more information contact the PSAI:

PORTABLE SANITATION ASSOCIATION INTERNATIONAL (PSAI)  
7800 METRO PARKWAY, SUITE 104  
BLOOMINGTON, MINNESOTA 55425 USA  
800-822-3020 / 612-854-8300 FAX 612-854-7560  
[www.pesai.org](http://www.pesai.org)

## **MISSION STATEMENT**

"PolyJohn is a family owned, state of the art, plastics manufacturing company dedicated to providing its employees with a work environment committed to excellence, and its customers with innovative products, services and technology that meet or exceed their requirements."

THANK YOU FOR PURCHASING POLYJOHN PRODUCTS!

Look for us on the Web @ [www.PolyJohn.com](http://www.PolyJohn.com)