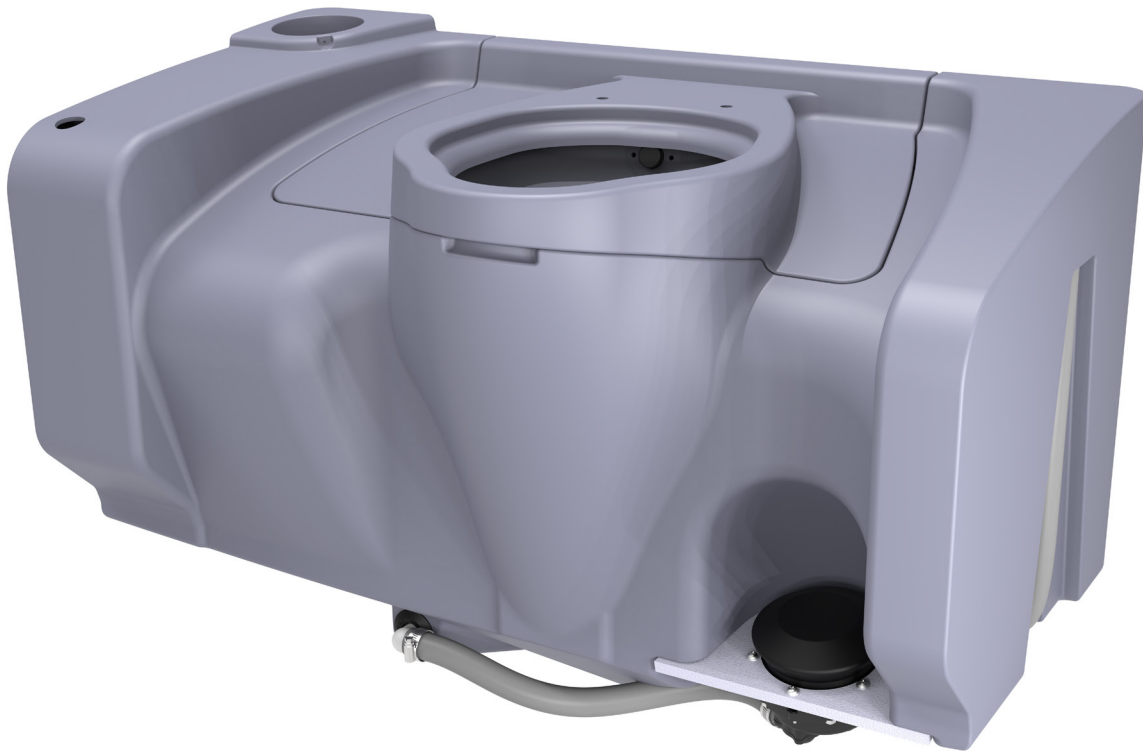


# RECIRCULATING FLUSH TANK

## PRODUCT INSTRUCTIONS



**POLYJOHN®**  
there when you need us



**NOTE:** We recommend reading through the entire Assembly Instructions prior to proceeding with installation, service or maintenance. All references to left and right throughout this guide are as viewed from the front.

# PRODUCT SPECIFICATIONS

## RECIRCULATING FLUSH TANK FT02-1000



DIMENSION	IMPERIAL	METRIC
Height	24.5 in	62 cm
Depth	24.0 in	61 cm
Width	41.0 in	104 cm
Tank Capacity	39.0 gal	148 ltr
Tank Seat Height	19 in	48 cm
Weight Empty	37 lb	16.78 kg
Pump Capacity (per stroke)	8 oz	237 ml

**NOTE:** All dimensions are subject to change due to environmental factors. All materials, including resin, pigments and additives used to make the plastic components as well as the plumbing components that come in contact with the fresh water are U.S. FDA food grade compliant.

# PRODUCT OVERVIEW

## RECIRCULATING FLUSH TANK FT02-1000

This re-circulating flush system is designed specifically for the PJN3, PJP4 or the PJ model portable restroom. It has an aesthetically contoured waste holding tank with a sloped top to drain away fluid and an integrally molded seat base and bowl to provide a strong "swirlpool" flush. The large hinged lid with a built-in prop rod acts as an access port for service and maintenance. NOTE: We discourage pumping through the flapper valve as damage may result.

---

## TOOLS REQUIRED FOR ASSEMBLY



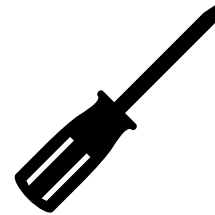
Drill



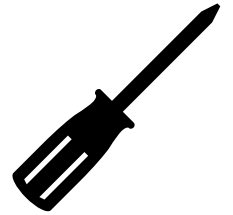
13/64" Drill Bit



Rivet Gun with  
3/16" tip



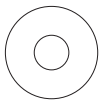
Standard  
Screwdriver



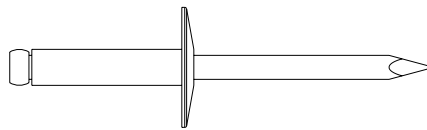
Phillips Cross-head  
Screwdriver

---

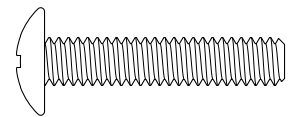
## FULL SIZE SCALE FASTENER DRAWINGS



(10) 100314/  
PC-000106 Washer



(8) 100311/  
PC-000103 Rivet



(1) 100358/  
PC-000174 Screw

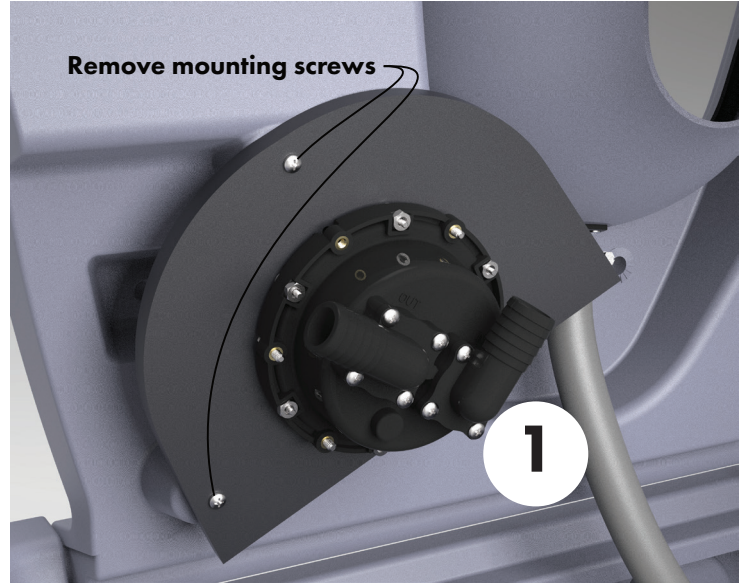
# ASSEMBLY INSTRUCTIONS

## RECIRCULATING FLUSH TANK FT02-1000

### STEP 1:

#### REMOVE FOOT PUMP ASSEMBLY:

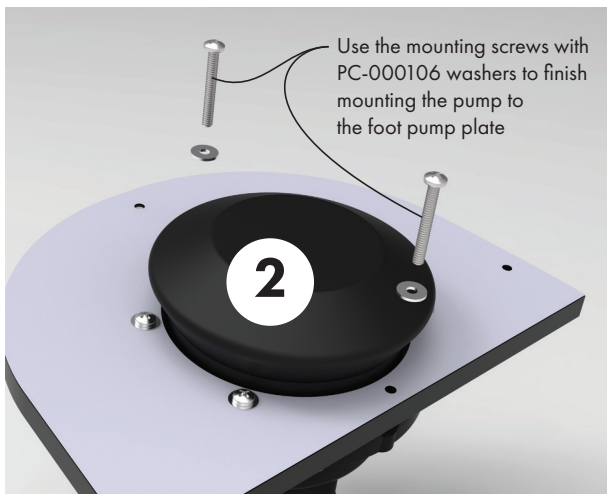
Remove the foot pump assembly from the underside of the lid by removing the 2 - 100391/PC-000231 screws.



### STEP 2:

#### SECURE FOOT PUMP TO FOOT PUMP PLATE:

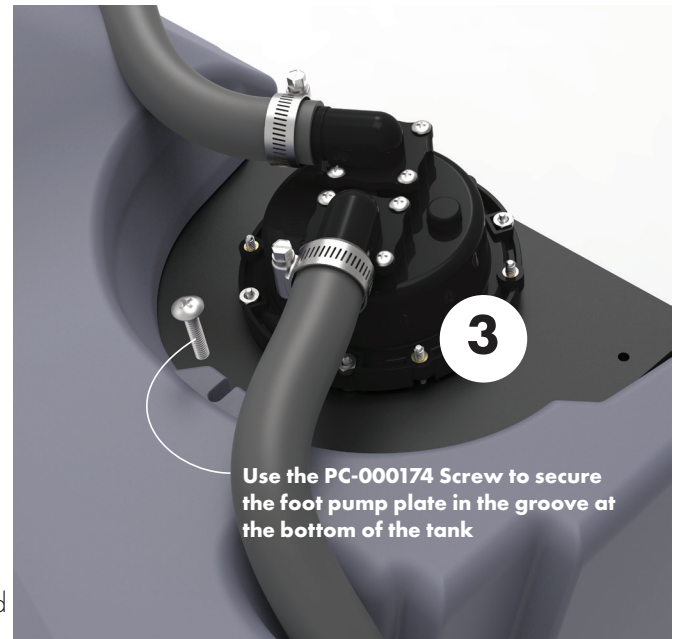
Using the mounting screws used for shipping along with the 100314/PC-000106 washers supplied, secure the foot pump to the foot pump mounting plate.



### STEP 3:

#### ATTACH FOOT PUMP ASSEMBLY TO BOTTOM OF TANK:

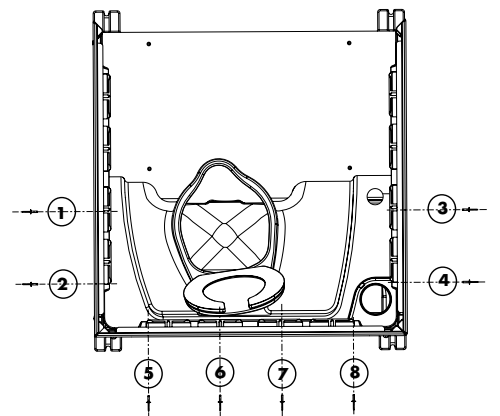
Slide the foot pump assembly into the groove at the bottom of the tank. Secure in place using a 100358/PC-000174 screw through the slot and into the hole of the plate. **Be sure not to overtighten and strip out the screw.** Place a 100428/PC-000352 hose clamp on the end of the intake hose and push the hose on the intake port of the pump. Tighten the clamp. Pull the discharge hose out of the side of the tank and place a 100428/PC-000352 clamp over the end. Push the hose onto the discharge port on the pump and tighten the clamp to secure in place.



### STEP 4:

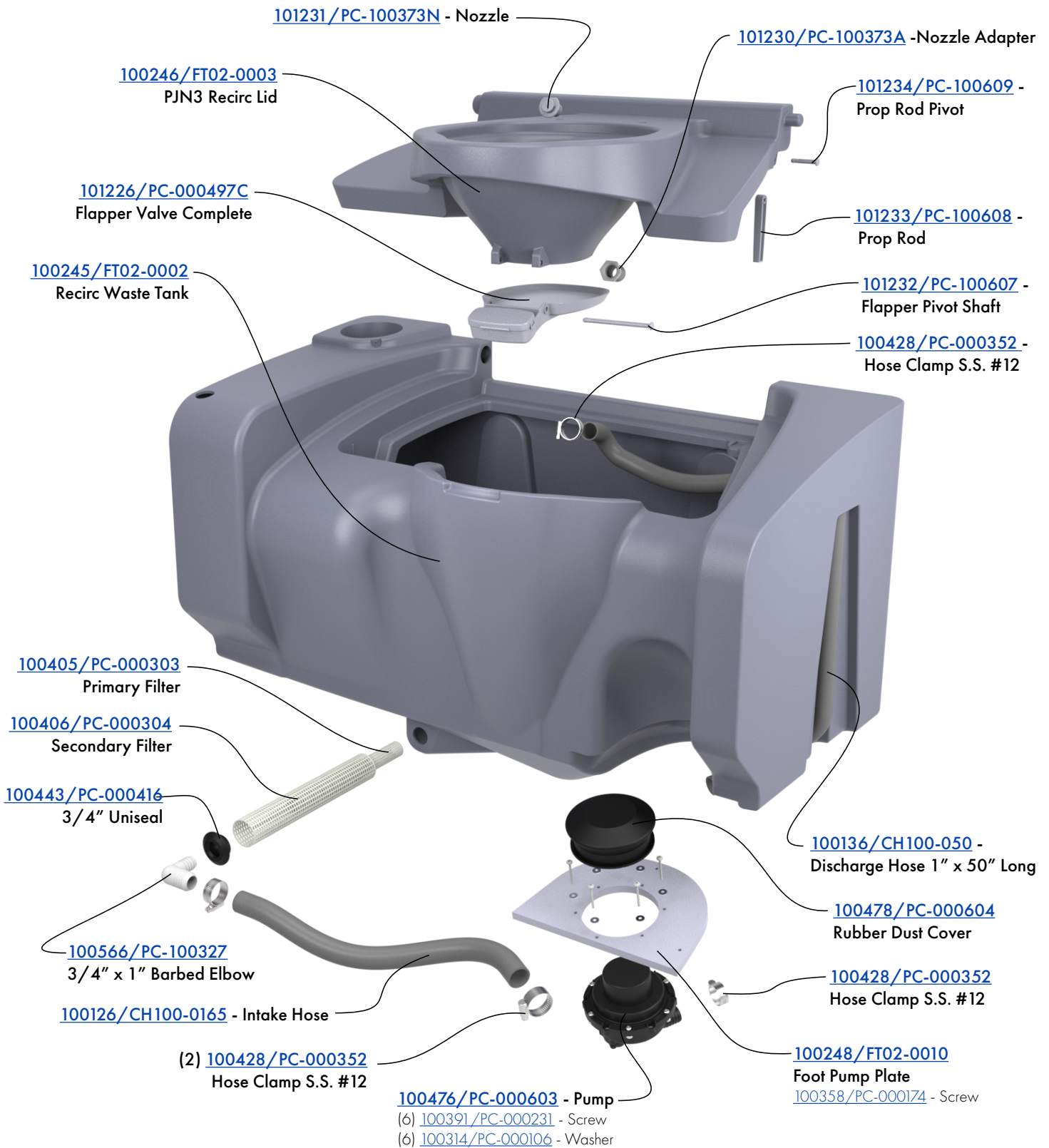
**WASTE TANK INSTALLATION:** Position the tank so that it is centered between the side panels and pushed up tight to the floor plate. There are drill spots on each of the wall panels. Push the wall panels in flat against the tank and drill (8) 13/64" holes through the specified drill spots (in the order shown) and through the wall of the tank.

**CAUTION: Drill only through the outer wall of the tank. Do not drill through the inside top surfaces of the tank.** On the outside of the restroom rivet the tank in place using (8) 100311/PC-000103 rivets, while another person inside the restroom places 100314/PC-000106 back-up washers on the rivet stems on the inside of the tank.



# PARTS DIAGRAM

## RECIRCULATING FLUSH TANK FT02-1000



# OPTIONAL ACCESSORIES, SUPPLIES AND CHEMICALS

RECIRCULATING FLUSH TANK  
FT02-1000



PJN3



PJP4

---

## CLEANING AND MAINTENANCE

Use a mild soap to clean all surfaces and component parts.

Minor scratches and abrasions can be lightly sanded or scrubbed with a mild abrasive cleaner (such as "Soft Scrub") that contains calcium carbonate, hypochlorate bleach, and detergents. Be sure to follow the cleaning product directions since these ingredients may cause hazardous gases when mixed with other chemicals. Rinse the cleaned areas and buff with a conventional wax.

Some light scratches may also be hidden by using an industrial hot air gun.

For a source of cleaning, deodorizing and paper products contact:

**PRO'S CHOICE**  
**2500 GASPAR AVE.**  
**WHITING, IN 46394-2175**  
**800-292-1305**  
**[www.polyjohn.com/supplies/pros-choice.html](http://www.polyjohn.com/supplies/pros-choice.html)**

We highly recommend membership in the Portable Sanitation Association International (PSAI); the worldwide authority on portable sanitation services. The PSAI, "Portable Sanitation Industry Certification Program" manual contains a wealth of information on standards and service procedures. For more information contact the PSAI:

**PORTABLE SANITATION ASSOCIATION INTERNATIONAL (PSAI)**  
**7800 METRO PARKWAY, SUITE 104**  
**BLOOMINGTON, MINNESOTA 55425 USA**  
**800-822-3020 / 612-854-8300 FAX 612-854-7560**  
**[www.psa.org](http://www.psa.org)**

## **REACH Compliance**

We certify that all components of the PolyJohn PSW3-1000 conform to REACH standards.

Specifically, we cite Article 7 of the Standard which indicates as follows:

Article 7(1) requires Producers and Importers of products to register with the ECHA chemical substances that are intentionally released from the products during use.

-No chemical substances are intentionally released from the product during use.

Article 7(2) requires Producers and Importers of products to notify the ECHA of the content of Substances of Very High Concern (SVHCs) if the concentration of SVHC is above 0.1% weight by weight (w/w) and the total amount put on the EU market by the subject company is more than 1 ton a year.

-No SVHC's exist in concentrations above 0.1% weight to weight (w/w) in the product.

We will maintain adequate documentation of this certification for inspection upon request.

## **Reduction of Toxics in Packaging**

We certify that all packaging and packaging components comply with the requirements of the toxics in packaging law(s). Specifically: U.S. Toxics in Packaging Clearinghouse Standard and/or The European Parliament and Council Directive 94/62/EC of 20 December 1994 on packaging and packaging waste last amended by Directive 2018/852.

- 1) We certify that the regulated chemicals – lead, mercury, cadmium, and hexavalent chromium were not intentionally added to any package or packaging component during the manufacturing process.
- 2) We further certify that the sum of the incidental concentration levels of lead, mercury, cadmium and hexavalent chromium present in any package or package component does not exceed acceptable levels of parts per million by weight.
- 3) We further certify that no materials used to replace the regulated chemicals are present in a quantity or manner that creates a hazard as great as or greater than the hazard created by the regulated chemicals.
- 4) We will maintain adequate documentation of this certification for inspection upon request.

# WARRANTY

## RECIRCULATING FLUSH TANK FT02-1000

### RESTROOMS AND TOILETS

#### POLYJOHN PORTABLE RESTROOMS LIMITED 3 YEAR PRODUCT WARRANTY

PolyJohn Enterprises Corp. warrants the major plastic parts of its portable restrooms (plastic front, wall panels, roof, and tank) against any breakage or other problems that prevent the PolyJohn portable toilet from functioning in accordance with usual practices used in the portable toilet industry and in their intended manner. This warranty covers any damages in material or workmanship for a total period of 3 years (36 months). This warranty extends only to the original purchaser of the PolyJohn portable restroom. Proof of purchase, serial numbers, and photos will be required.

### SINKS, TANKS, TRAILERS AND SANISTANDS

PolyJohn Enterprises warrants our sinks, tanks, trailers and sanistands from the date of purchase. Any misuse or abuse of our products or failure to properly follow recommended procedures shall void this warranty. The warranty is a 1 year limited warranty and a 90 day limited warranty for components thereof.

#### What is Not Covered By Warranty

This warranty does not cover damage or failure contributed to or caused by: Not following PolyJohn assembly procedures, unauthorized modification, acts of God, mishandling, misuse, use of incompatible solvents or other damaging chemicals, vandalism or accident. In no event shall PolyJohn be liable for labor costs or for incidental or consequential damages.

For full details on PolyJohn's warranty policy, and to view instructions for submitting a claim please visit <https://www.polyjohn.com/warranty/>.

#### Warranty Disclaimer

PolyJohn's terms of sale are FOB (Free on Board Shipping Point). Meaning buyer takes on responsibility once it leaves PolyJohn's shipping dock. The carrier is wholly responsible for any damage incurred during transit. Important notice: All concealed/non-notated damages must be reported within 5 business days of delivery (1st day is the day of delivery) as per the National Motor Freight Classification (NMFC) – Rule 300100 - for a damaged claim to be filed. Reporting after this time will void a claim.

In order to prevent warranty disputes follow these steps immediately when receiving your products:

Inspect the shipment immediately and insist that visible damages be indicated on your copy of the freight bill. If they are not noted on the freight bill it is very likely a claim will be denied.

Open the shipment if necessary, and inspect for any concealed damages.

If there are any damages that you cannot operate with you may refuse shipment. After you do this contact us immediately

#### Filing Process for Warranty

PolyJohn reserves the right to request inspection of products for verification of defect, which may include returning some or all of the parts with shipping paid for by the purchaser. Once the items have been returned, inspected, and PolyJohn is found at fault shipping costs will be reimbursed. You may contact PolyJohn to arrange for return shipping if desired.

To file your warranty claim follow these steps:

1. Go to [polyjohn.com/warranty/](https://www.polyjohn.com/warranty/)
2. Fill out necessary contact information
3. Fill in invoice number, date of purchase, product, and product serial numbers.
4. Upload an images of affected products
5. Submit and someone will be in contact with you as soon as possible.

# OUR MISSION STATEMENT

RECIRCULATING FLUSH TANK  
FT02-1000

“PolyJohn is a family owned, state of the art, plastics manufacturing company dedicated to providing its employees with a work environment committed to excellence, and its customers with innovative products, services and technology that meet or exceed their requirements.”

THANK YOU FOR PURCHASING POLYJOHN PRODUCTS!



**POLYJOHN**<sup>®</sup>  
there when you need us

---

POLYJOHN USA  
+1 800-292-1305  
Whiting, Indiana  
[www.polyjohn.com](http://www.polyjohn.com)

POLYJOHN INTERNATIONAL  
UNITED KINGDOM  
+44 (0) 1937-583333  
Yorkshire, England  
[www.polyjohn.co.uk](http://www.polyjohn.co.uk)

POLYJOHN CANADA  
+1 800-465-9590  
Oro Medonte, Ontario  
[www.polyjohn.ca](http://www.polyjohn.ca)  
[www.fr.polyjohn.ca](http://www.fr.polyjohn.ca)

POLYJOHN LATIN AMERICA  
+01 800-953-1307  
Chihuahua, Mexico  
[www.polyjohn.mx](http://www.polyjohn.mx)

POLYJOHN AUSTRALIA  
+61 7 3277 5727  
Brisbane, Australia  
[www.totalsanitationsolutions.com.au](http://www.totalsanitationsolutions.com.au)

POLYJOHN SOUTHERN AFRICA  
+27 (011) 615-3804  
Johannesburg, South Africa  
[www.polyjohn.co.za](http://www.polyjohn.co.za)

POLYJOHN NEW ZEALAND  
+64 (0)22 387 7142  
Auckland, New Zealand  
[www.polyjohn.co.nz](http://www.polyjohn.co.nz)

POLYJOHN SOUTH AMERICA  
+57 318 696 7744  
Bogotá, Colombia  
[www.polyjohn.com](http://www.polyjohn.com)

POLYJOHN INTERNATIONAL  
CZECH REPUBLIC  
+420 608 876 983  
Karlovy Vary, Czech Republic  
[www.polyjohn.eu](http://www.polyjohn.eu)