

LK04-1000 Portable Restroom Door Lock Kit

General Overview

The LK04 -1000 Door Lock Kit - is designed to be used with most portable restrooms. This kit can be mounted anywhere along the non-hinged side of the door and door jamb. The hasps are made from stainless steel and the rivets are aluminum, assuring a no rust, maintenance free long life. Fasteners supplied with kit are designed to be used with doors made with steel pillars and jambs of aluminum. Alternative fasteners may be necessary if used with doors and jambs made of other construction.



The recommended padlock is the PC-000205M sold separately.

We recommend reading through the entire information booklet prior to proceeding with installation, service and maintenance. All references to left and right throughout the booklet are as viewed from the front of the restroom.

POLYJOHN USA

PolyJohn Enterprises Corp
2500 Gaspar Ave.
Whiting, IN 46394
Phone: 800-292-1305
Fax: 219-659-0625
www.polyjohn.com
info@polyjohn.com

POLYJOHN WORLDWIDE

PolyJohn (UK) Ltd.
Equinox 1 Audby Lane
Wetherby, England LS22 7RD
Phone: 44 (0) 1937-583333
Fax: 44 (0) 1937-583322
sales@polyjohn.co.uk

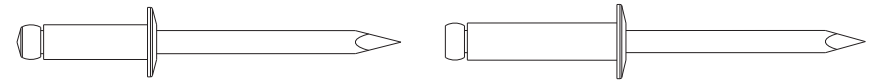
POLYJOHN CANADA

PolyJohn Canada
P.O. Box 2300
199 Forest Plain Rd.
Orillia, Ontario LV3 6S2
Phone: 800-465-9590
Fax: 705-325-8250
info@polyjohncanada.ca

~~Tools Required~~

- Drill
- 13/64" Drill Bit
- Rivet Gun

Full Size Scale Fasteners



(3) PC-000102 Rivet

(2) PC-000104 Rivet

Lock Installation

One person can install this kit quite easily. It is suggested to install the kit just below the door pull (as shown below on the PJN3).

Install the crescent plate hasp first.

Step 1. Using the three-holes of the crescent plate hasp as a drill guide, position the plate on the outer lip on the edge of the door, making sure the flat edge is held tight to the door lip.

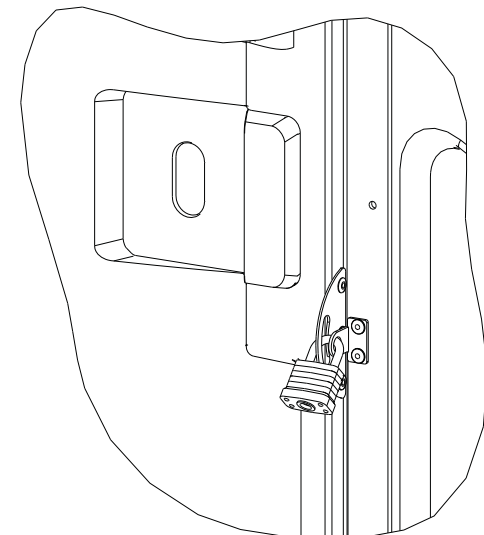
Step 2. Drill three 13/64" holes into the inner door pillar.

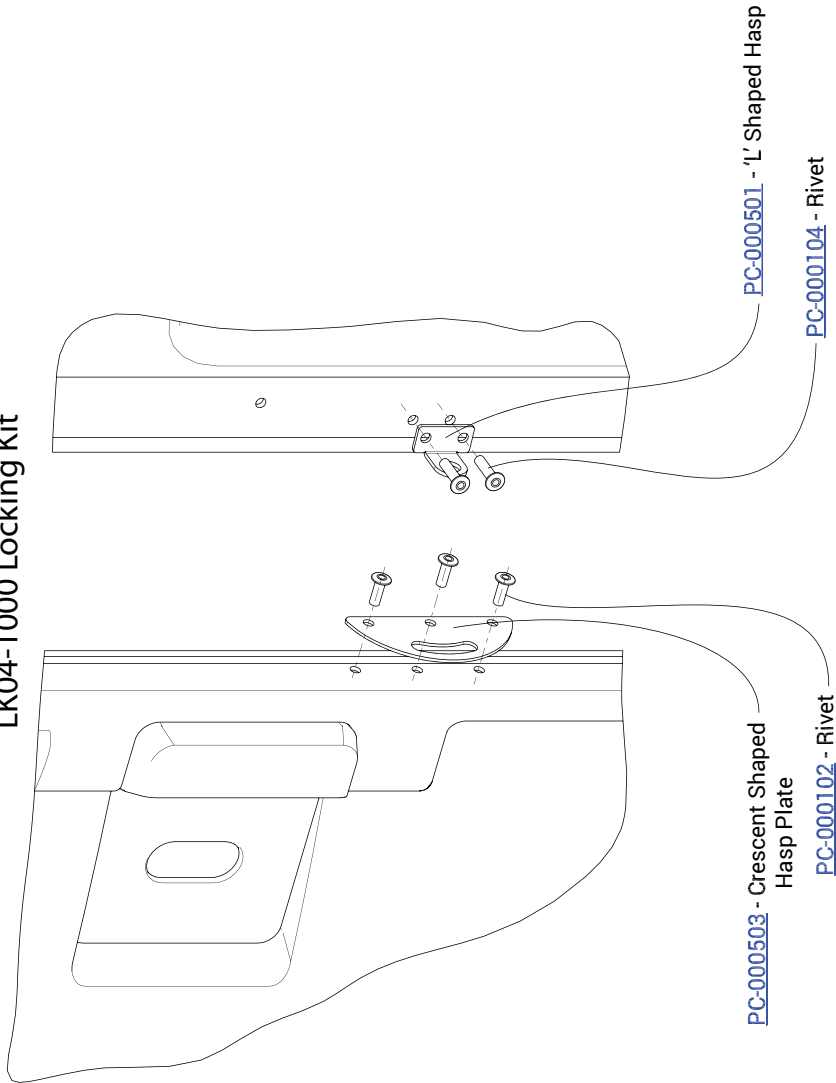
Step 3. Rivet in place using (3) PC-000102 rivets.

Step 4. Now, align the "L" hasp on the edge of the door jamb so that the hole is at the center of the curved slot of the crescent hasp.

Step 5. Using the two-holes of the "L" hasp as a drill guide, drill two 13/64" holes into the door jamb.

Step 6. Rivet in place using (2) PC-000104 rivets.





For a source of cleaning, deodorizing and paper products contact:

COOPER'S OWN
2500 GASPAR AVE.
WHITING, IN 46394-2175
800-292-1305
www.polyjohn.com/products/supplies/cooper-s-own

We highly recommend membership in the Portable Sanitation Association International (PSAI); the worldwide authority on portable sanitation services. The PSAI, "Portable Sanitation Industry Certification Program" manual contains a wealth of information on standards and service procedures. For more information contact the PSAI:

PORTABLE SANITATION ASSOCIATION INTERNATIONAL (PSAI)
7800 METRO PARKWAY, SUITE 104
BLOOMINGTON, MINNESOTA 55425 USA
800-822-3020 / 612-854-8300 FAX 612-854-7560
www.pesai.org

MISSION STATEMENT

"PolyJohn is a family owned, state of the art, plastics manufacturing company dedicated to providing its employees with a work environment committed to excellence, and its customers with innovative products, services and technology that meet or exceed their requirements."

THANK YOU FOR PURCHASING POLYJOHN PRODUCTS!

Look for us on the Web @ www.PolyJohn.com