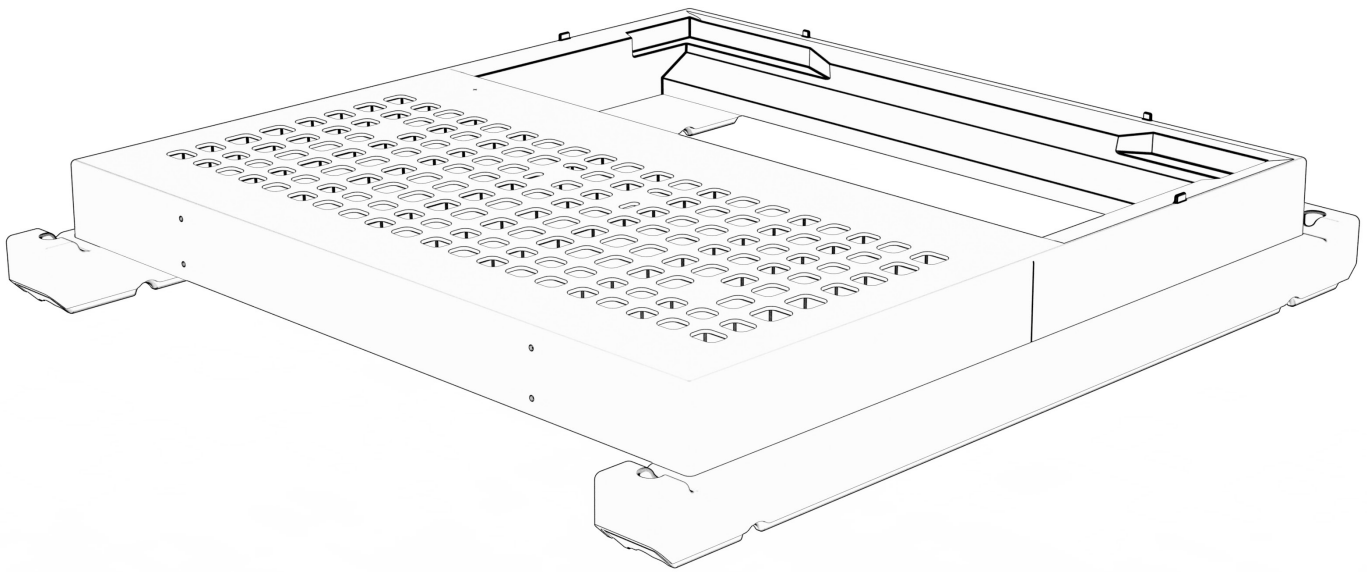
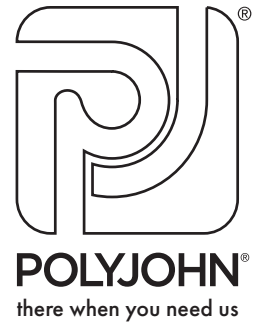


GRATED SKID

PRODUCT INSTRUCTIONS



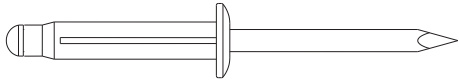
The SF1-1000 Grated Skid is made to be used with the PJN3/PJP4 units. It has many valuable features including:

- Slotted floor for easier cleaning and improved venting.
- Excellent part stackability for better space utilization for shipping.
- Replaceable runners.
- Replaceable runner covers (wear plates).
- Stake down holes in the ends of the runners.
- Notches on runner ends for easier unloading off of trailers.
- Optional Floor Cover

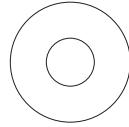
We recommend reading through the entire information booklet prior to proceeding with installation, service and maintenance. All references to left and right throughout the booklet are as viewed from the front of the restroom.

FULL SIZE SCALE FASTENERS

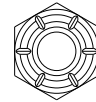
GRATED SKID



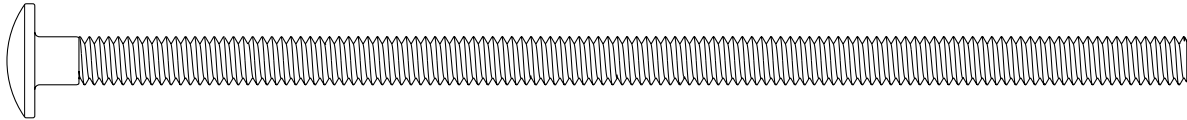
(5) 100313/PC-000105 Rivet
For Optional Floor Cover



(6) 100324/PC-000123
1/4" Flat Washer



(6) 100334/PC-000140
1/4-20 Lock Nut



(6) 100562/PC-100164
1/4-20 x 6" Carriage Bolt

TOOLS REQUIRED



7/16" Socket



In/Lb Torque Wrench



Tape Measure
(For Optional
Floor Cover)



Drill with
13/64" Drill Bit
(For Optional
Floor Cover)



Rivet Gun
(For Optional
Floor Cover)

INSTALLATION INSTRUCTIONS

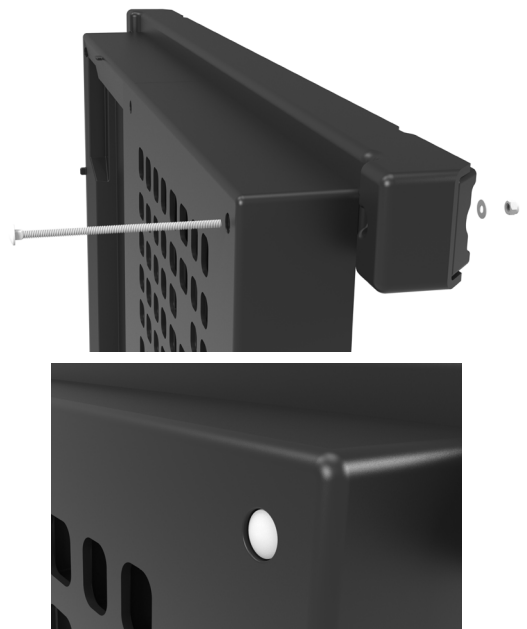
Step 1 Place the base on its side.

Step 2 Place a runner assembly in the base as shown to the right. The sides of the runner should overhang the side of the base by 1-1/2"

Step 3 Place a 100562/PC-100164 Carriage Bolt through the base, making sure that the square on the underside of the head of the bolt is aligned with the molded in square in the base. Hold the bolt down with your one hand while placing a washer over the other end of the bolt on the underside of the runner. Thread a nut by hand over the end of the bolt. Using a ratchet with a 7/16" socket, tighten in place to 100 in./lbs. Repeat this step for the remaining 2 bolts in the runner.

Step 4 Turn the base over and repeat steps 2 & 3.

Assembly is complete.



INSTALLATION INSTRUCTIONS

GRATED SKID

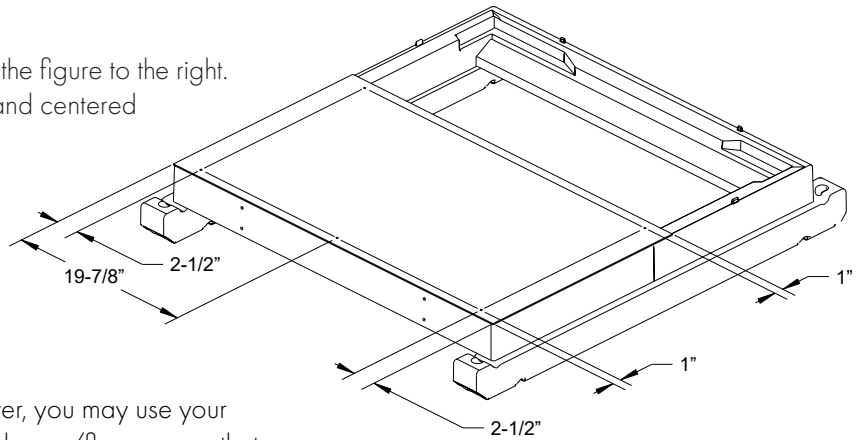
Optional Floor Cover Installation

Step 1 Place floor cover on top of base as shown in the figure to the right. Make sure the floor is flush with the front of the base and centered width wise.

Step 2 Using the dimensions shown, drill 5 holes through the floor cover and top wall of the base using a drill with a 13/64" drill bit.

Step 3 Secure the floor cover in place using (5) PC-000105 rivets.

Pro Tip: If you are installing more than one floor cover, you may use your first floor cover as a template for the remainder of the bases/floor covers that have to be assembled before fastening to the base.



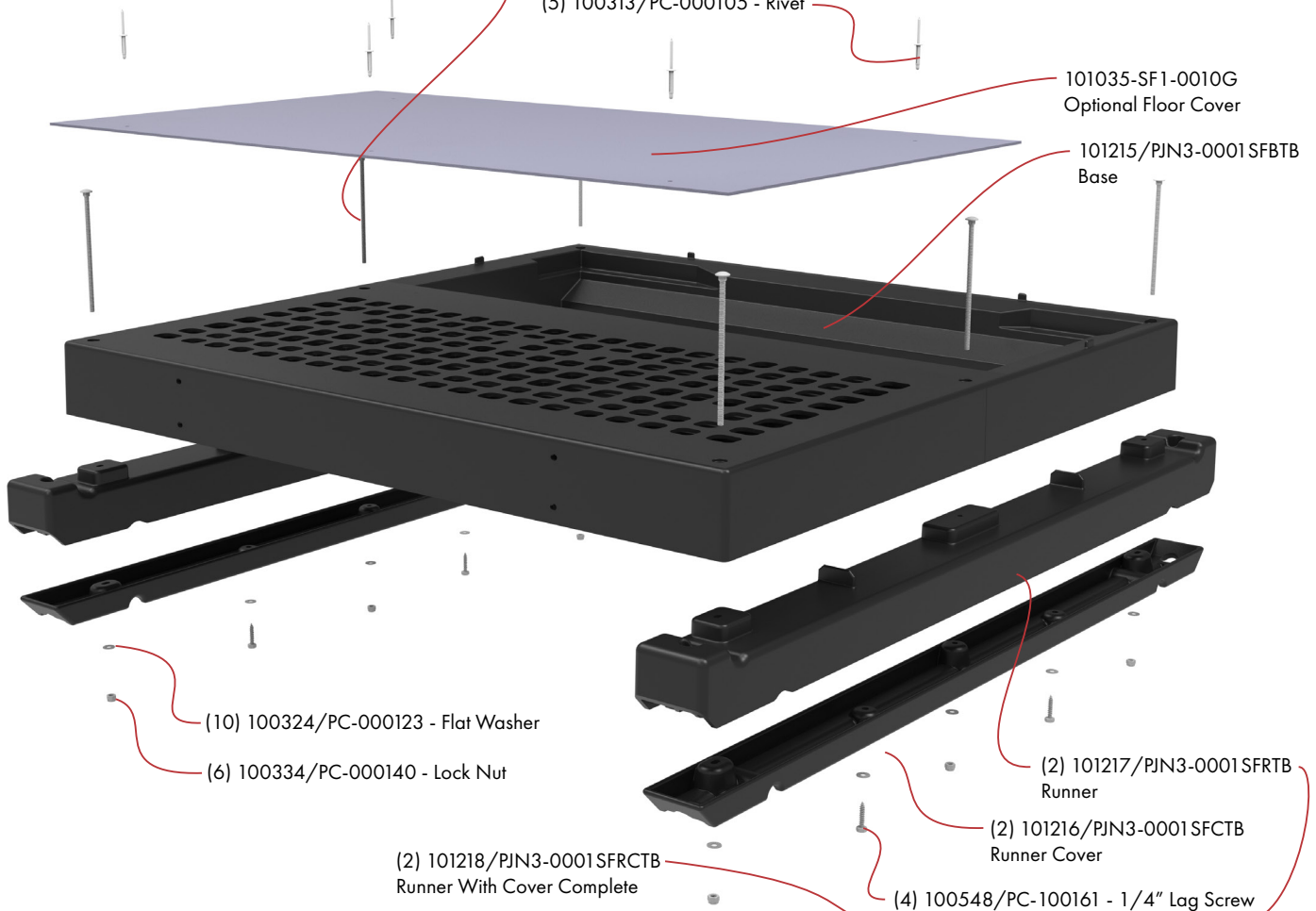
EXPLODED VIEW PARTS DIAGRAM

(6) 100562/PC-100164 - 1/4-20 x 6" Carriage Bolt

(5) 100313/PC-000105 - Rivet

101035-SF1-0010G
Optional Floor Cover

101215/PJN3-0001SFBTB
Base



OUR MISSION STATEMENT

GRATED SKID

“PolyJohn is a family owned, state of the art, plastics manufacturing company dedicated to providing its employees with a work environment committed to excellence, and its customers with innovative products, services and technology that meet or exceed their requirements.”

THANK YOU FOR PURCHASING POLYJOHN PRODUCTS!



POLYJOHN USA
+1 800-292-1305
Whiting, Indiana
www.polyjohn.com

POLYJOHN INTERNATIONAL
UNITED KINGDOM
+44 (0) 1937-583333
Yorkshire, England
www.polyjohn.co.uk

POLYJOHN INTERNATIONAL
CZECH REPUBLIC
+420 608 876 983
Karlovy Vary, Czech Republic
www.polyjohn.eu

POLYJOHN SOUTHERN AFRICA
+27 (011) 615-3804
Johannesburg, South Africa
www.polyjohn.co.za

POLYJOHN CANADA
+1 800-465-9590
Oro Medonte, Ontario
www.polyjohn.ca
www.fr.polyjohn.ca

POLYJOHN LATIN AMERICA
+01 800-953-1307
Chihuahua, Mexico
www.polyjohn.mx

POLYJOHN AUSTRALIA
+61 7 3277 5727
Brisbane, Australia
www.totalsanitationsolutions.com.au

POLYJOHN NEW ZEALAND
+64 (0)22 387 7142
Auckland, New Zealand
www.polyjohn.co.nz

POLYJOHN SOUTH AMERICA
+57 318 696 7744
Bogotá, Colombia
www.polyjohn.com