

FLEET™ SERIES SINK

PRODUCT INSTRUCTIONS



POLYJOHN®
there when you need us



NOTE: We recommend reading through the entire Assembly Instructions prior to proceeding with use, service or maintenance.

PRODUCT SPECIFICATIONS

FLEET™ SERIES SINK
FS3-0026

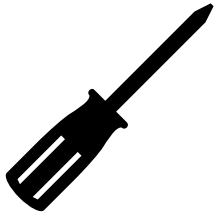


DIMENSION	IMPERIAL	METRIC
Height	39 in.	100 cm
Width	17 in.	43 cm
Depth	21 in.	53 cm
Tank Capacity	20 gal	76 liter.
Pump Capacity (per stroke)	2 fl. oz	59.14 ml
Number of Single Dispenses	1280	1280
Weight Empty	16 lb.	7.26 kg.
Weight Full	183 lb.	83 kg.

NOTE: All dimensions are subject to change due to environmental factors. All materials, including resin, pigments and additives used to make the plastic components as well as the plumbing components that come in contact with the fresh water are U.S. FDA food grade compliant.

TOOLS REQUIRED FOR ASSEMBLY

FLEET™ SERIES SINK
FS3-0026



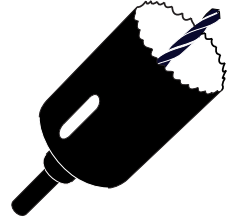
Phillips Screwdriver



Drill



1/8" (5.33mm)
Drill Bit



1-1/8" (29mm)
Hole Saw

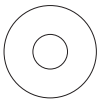


Tape Measure

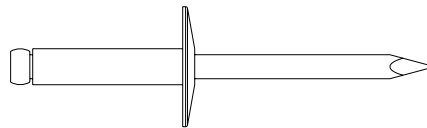


Rivet Gun

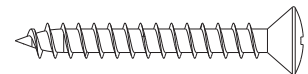
FULL SIZE SCALE FASTENER DRAWINGS



(2) PC-000106
Back-up Washer



(2) PC-000103 - Rivet
Large Flange



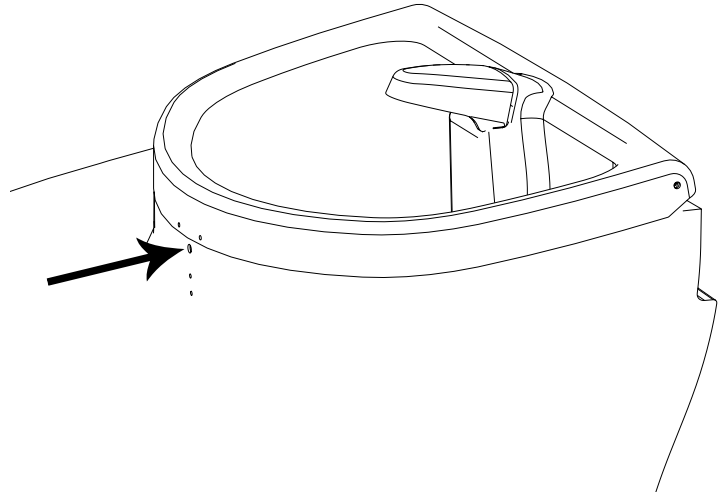
(1) PC-000158
Self Tapping Screw

PRODUCT OVERVIEW

FLEET™ SERIES SINK
FS3-0026

These self-contained hand wash sinks have been engineered with a larger bowl so users may wash up to their elbows. Designed for either Flushing or Non-Flushing FS3 Fleet Series Portable Restrooms. Sinks are supplied fully assembled including all fasteners for installation. One person will be required to install the sink with the exception of some assistance to hold the back-up washers when riveting the sink to the wall panel. Installation of a sink into a flushing unit will require two people.

The sink bowl is attached to the sink tank with (2) PC-000107 rivets that act as hinges. To unlock the sink, insert a long thin object (the key for the lock on the T.P. Dispenser works well) into the 1/4" hole directly below the bottom of the sink lid (as shown below) while pushing down on the front of the lid of the sink, push the key in to release the catch, and lift up the lid.



IMPORTANT DECALS

NOT FOR COOKING OR DRINKING - is required by law in certain areas of the U.S. Other geographical areas require that the materials used to manufacture the sinks comply with the U.S. Federal Food and Drug Administration (FDA) guidelines 21 CFR 175.300 (resins), 177.1520 (olefin polymers) and 178.3297 (colorants for polymers). The materials also comply with the U.S. Public Service Drinking Water Standards, 42 CFR part 72 and U.S Environmental Protection Agency Interim Primary Drinking Water Regulations 40 CFR part 141.

HANDS FREE SINK - instruction for user to use foot pump to operate the sink.

UNIT MUST BE DRAINED BEFORE TRANSPORTING - reminds service operator to empty the sink before transporting.

REPLACEMENT INSTALLATION FOR FLUSHING UNITS

FLEET™ SERIES SINK
FS3-0026

Remove Existing Sink -

Carefully lay the unit on its back and disconnect the intake hose from the pump and the hose going to the bottom of the waste tank. Stand the unit back upright. **NOTE: Sinks for flushing units are supplied with the required hoses attached.** Drill out the rivets that hold the sink to the side panel; someone may have to hold the body of the rivets with pliers inside the sink to keep the rivets from spinning. Remove the Phillips cross-head screw from the base plate. Pull the sink up and out.

Install New Sink -

Place sink into its location. Route hoses through skid. Drill two 13/64" holes through existing sink mounting holes and into sink. Fasten sink to the wall panels with the supplied PC-000103 rivets and PC-000106 washers. Fasten to the floor plate with the PC-000158 screw. Carefully lay unit on its back. (Refer to the illustration at the right for reattachment of the hoses.)

Operation

Valve Handle Positioning -

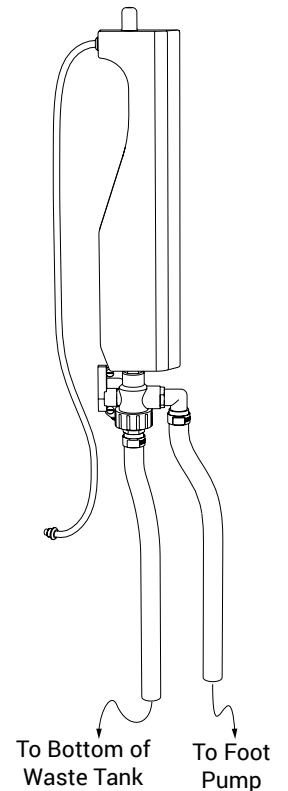
This sink can be used in a Recirculating Flush mode as well as a Fresh Flush mode. The valve for changing from the Fresh Flush to Recirculating Mode is located behind a hatch at the right rear corner of the unit. NOTE: The flow arrow on the valve should be pointed downward for the Recirculating mode and upward for the Fresh Flush mode.

Filter Replacement -

Remove the sink from the unit. The filter is held in place by an elbow in the bottom of the sink. To remove the filter from the 3/8" fitting, remove the hose from the quick disconnect fitting in the elbow, unscrew the elbow and pull the filter out.

Pump Replacement -

Quick disconnect fittings are used for the plumbing system. To disconnect the tubing, pull the ring of the fitting toward the fitting stem while pulling out on the tubing.



INSTALLATION FOR NON-FLUSHING UNITS

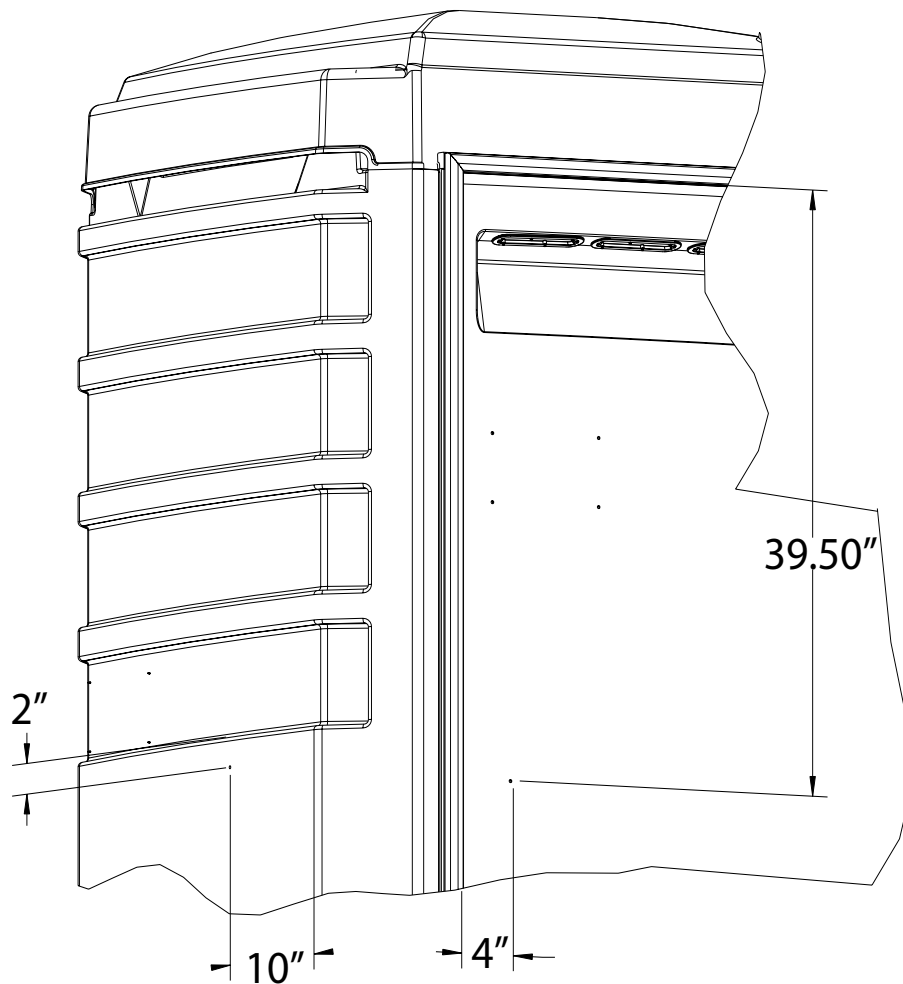
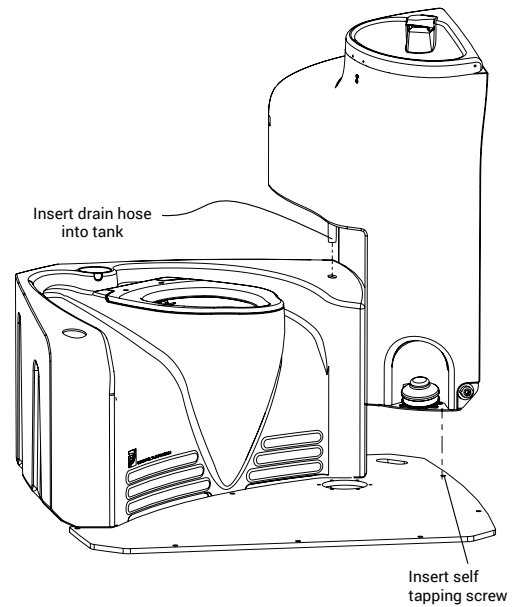
FLEET™ SERIES SINK
FS3-0026

Locate the drill spot on the top right surface of the waste tank. Use a 1-1/8" hole saw and cut the drain hole. Position the sink so the drain pipe nipple is inserted into the hole.

(Refer to the illustration below) Drill two 13/64" holes through the wall panels and the back of the sink. The sink should be flat against the wall panel. Fasten the sink from the outside of the unit with (2) PC-000103 rivets and (2) PC-000106 back-up washers on the inside of the sink.

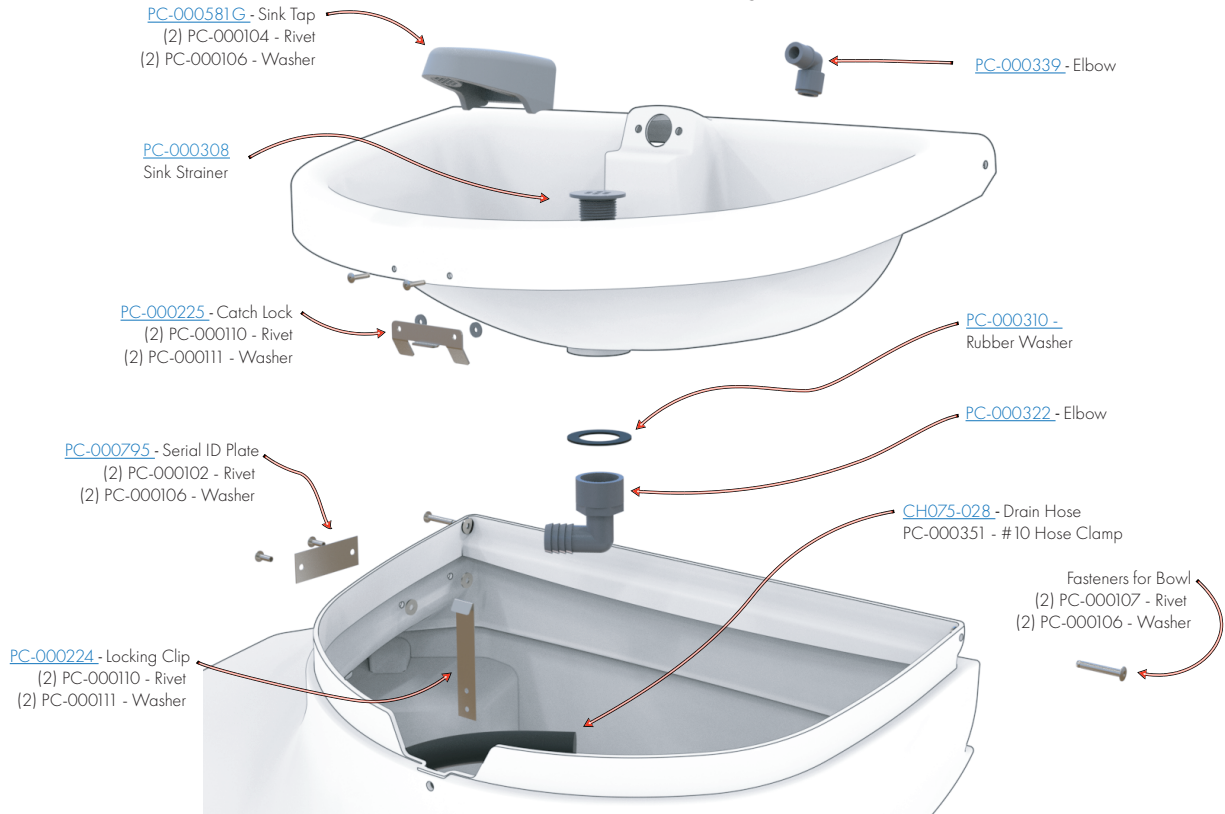
Attach the sink to the base skid; Drive (1) PC-000158 self-tapping screw in the predrilled hole in the pump mounting plate.

Installation is complete.



FLEET™ SERIES SINK FS3-0026

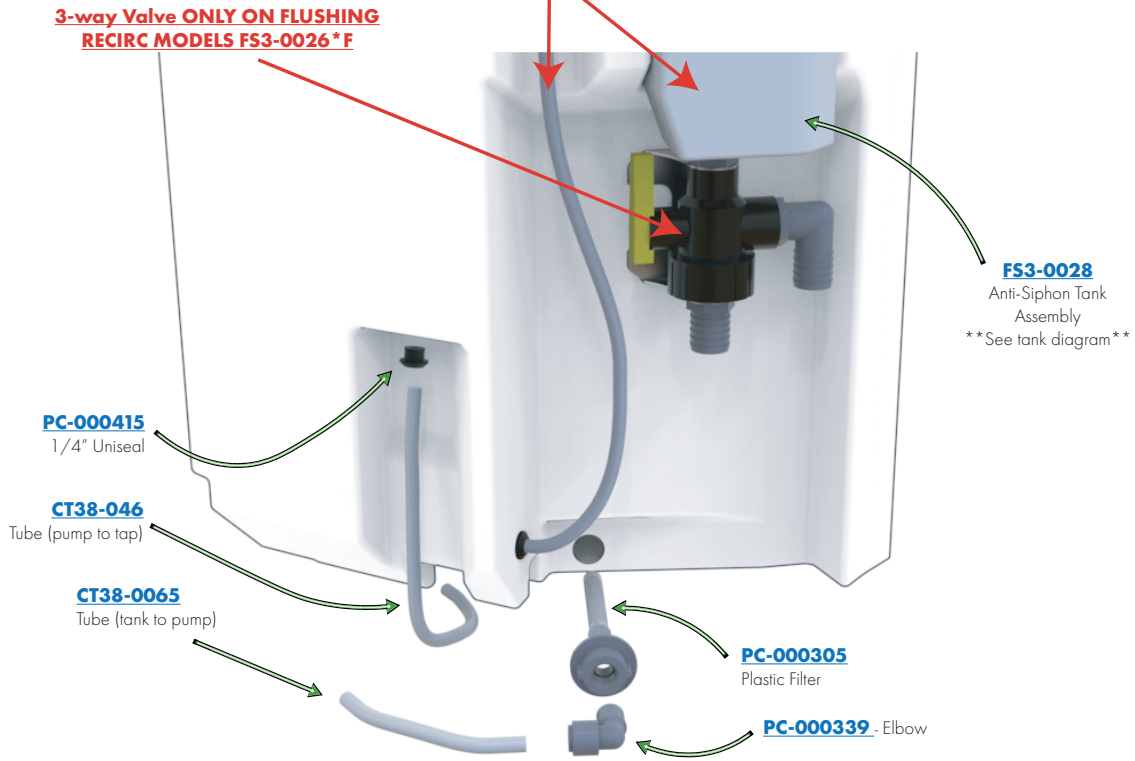
FS3-0026PF - Fleet Sink Flushing Model



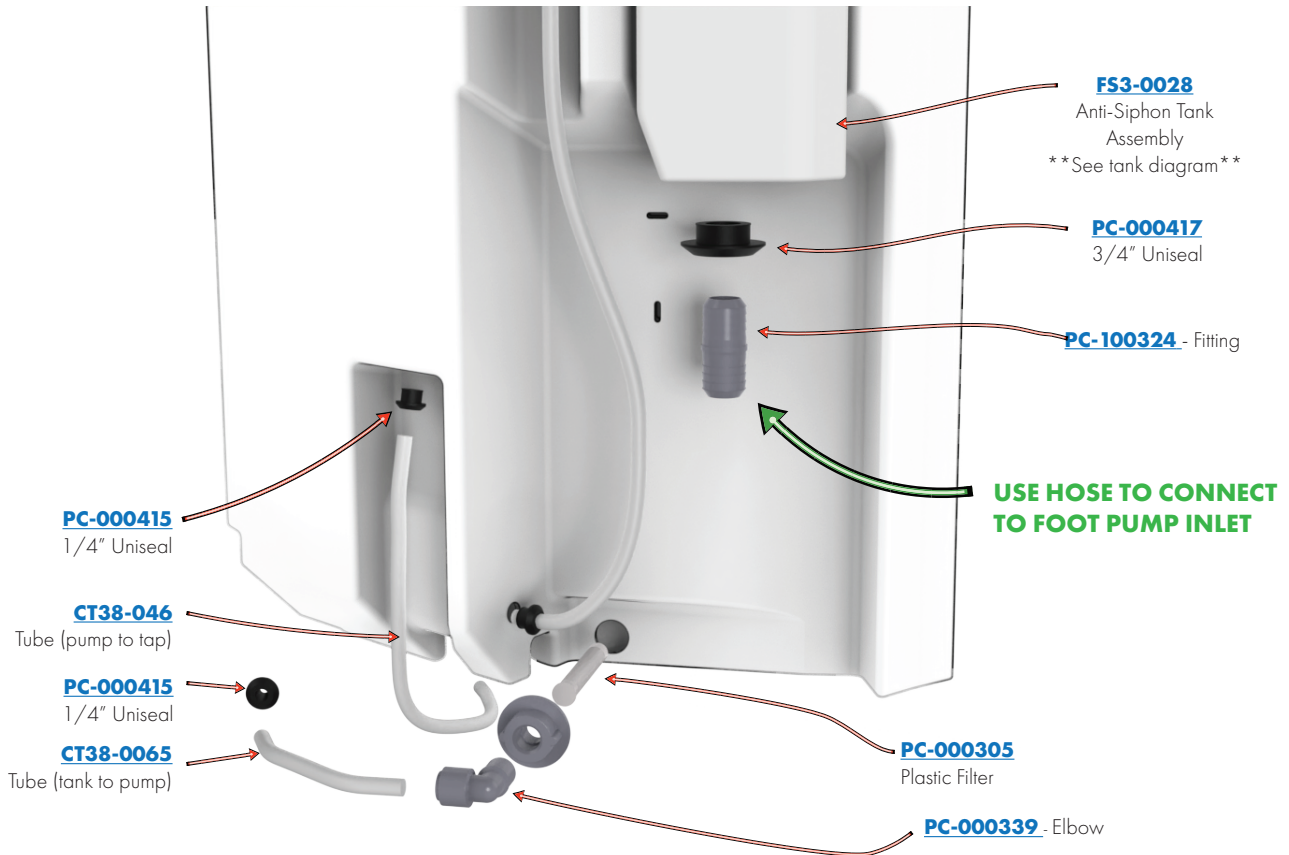
PARTS DIAGRAM

FLEET™ SERIES SINK
FS3-0026

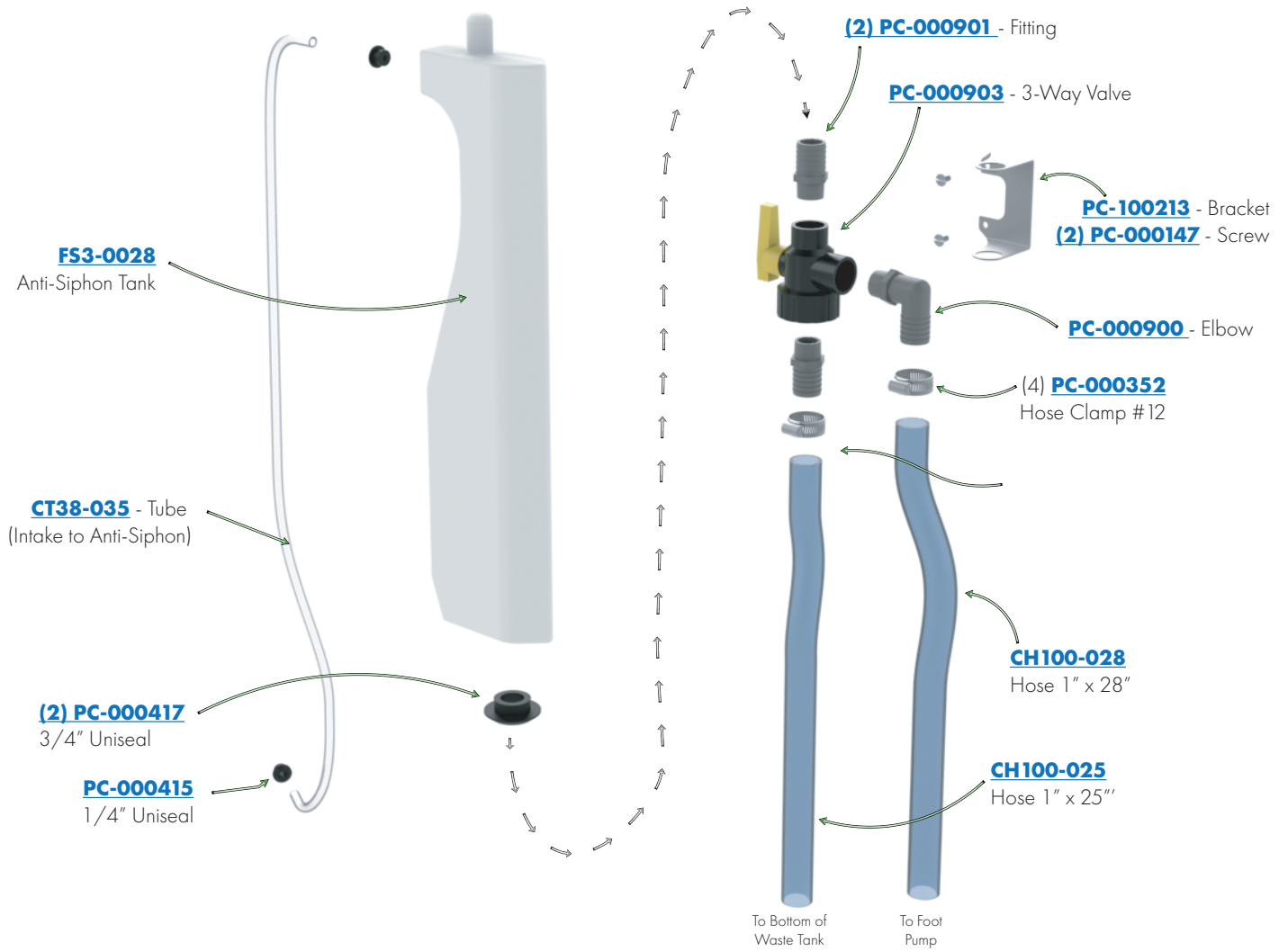
tank assembly & tube not installed on FS3-0026 * C (static)



FRESH FLUSH MODELS FS3-0026 * FF



FLEET™ SERIES SINK FS3-0026

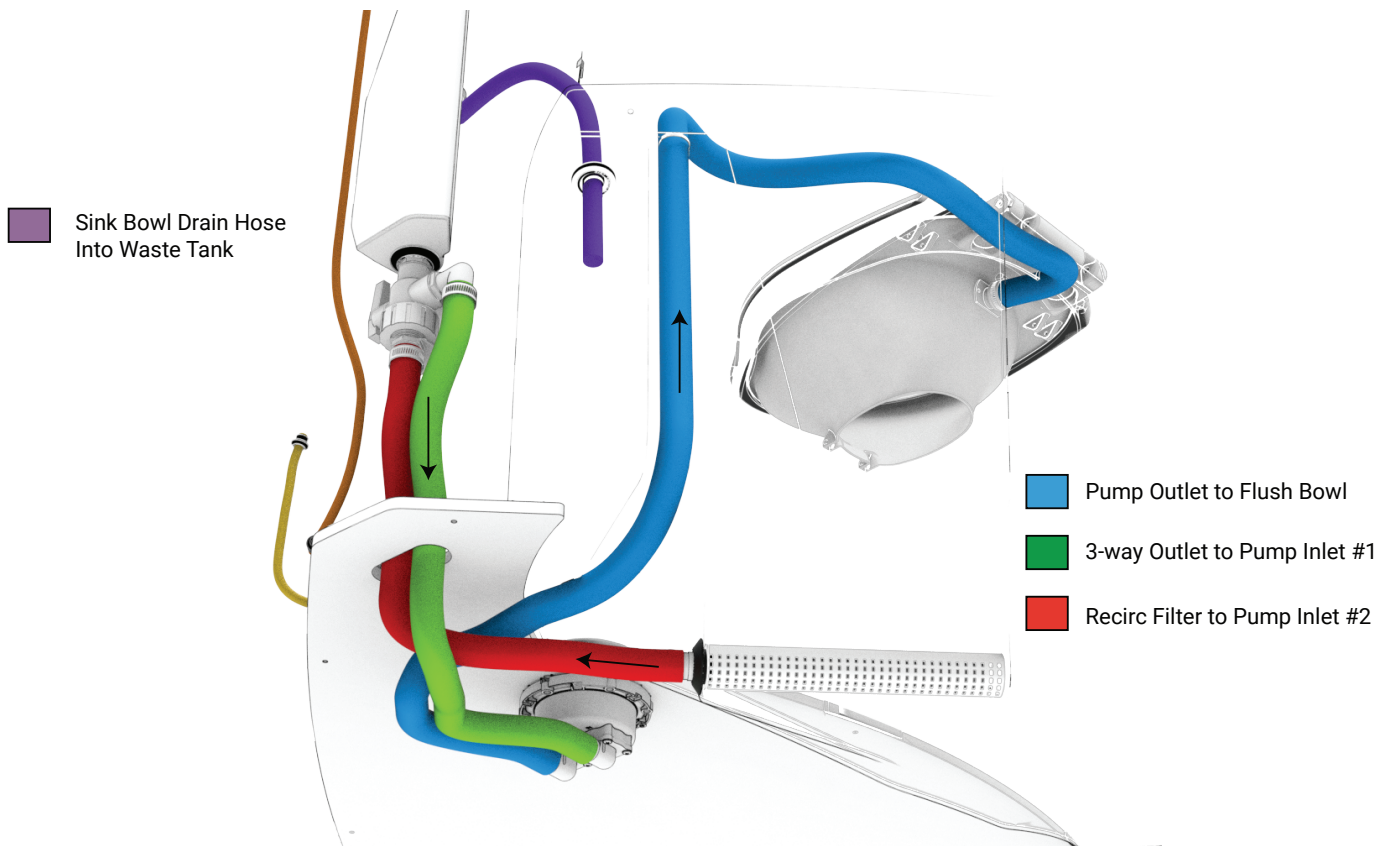


PARTS DIAGRAM

RECIRC HOSE CONNECTIONS

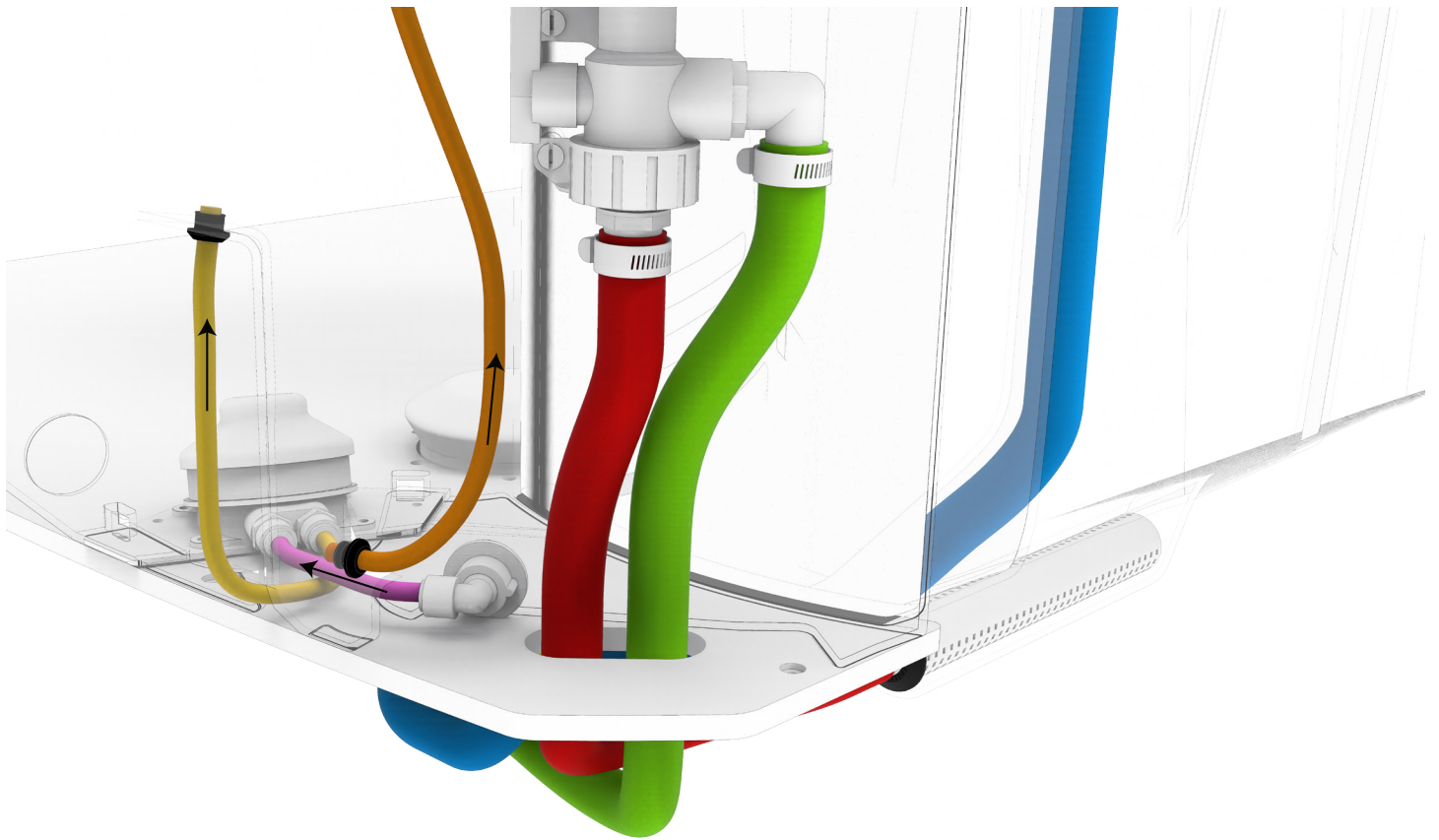
FLEET™ SERIES SINK
FS3-0026




RECIRC Flush Hose Connections with 3-Way Valve Installed.



**** CHECK FOR LEAKS AT
FOOT PUMP CONNECTIONS ****

Sink Tube Connections.



-  Sink Pump Outlet to Sink Tap
-  Sink Tank to Anti-Siphon Tank
-  Sink Tank to Sink Pump Inlet

OPTIONAL ACCESSORIES, SUPPLIES AND CHEMICALS

FLEET™ SERIES SINK
FS3-0026



Liquid Soap Dispenser
PSD1-1000



Lotion Hand Soap
LS00-1000



Paper Towel Dispenser
TD04-1000

CLEANING AND MAINTENANCE

Use a mild soap to clean all surfaces and component parts.

Minor scratches and abrasions can be lightly sanded or scrubbed with a mild abrasive cleaner (such as "Soft Scrub") that contains calcium carbonate, hypochlorate bleach, and detergents. Be sure to follow the cleaning product directions since these ingredients may cause hazardous gases when mixed with other chemicals. Rinse the cleaned areas and buff with a conventional wax.

Some light scratches may also be hidden by using an industrial hot air gun.

For a source of cleaning, deodorizing and paper products contact:

PRO'S CHOICE
2500 GASPAR AVE.
WHITING, IN 46394-2175
800-292-1305
www.polyjohn.com/supplies/pros-choice.html

We highly recommend membership in the Portable Sanitation Association International (PSAI); the worldwide authority on portable sanitation services. The PSAI, "Portable Sanitation Industry Certification Program" manual contains a wealth of information on standards and service procedures. For more information contact the PSAI:

PORTABLE SANITATION ASSOCIATION INTERNATIONAL (PSAI)
7800 METRO PARKWAY, SUITE 104
BLOOMINGTON, MINNESOTA 55425 USA
800-822-3020 / 612-854-8300 FAX 612-854-7560
www.psa.org


Prop 65

PolyJohn Corporation would like to inform any customers or end users that some products may contain chemicals listed in California's Safe Drinking Water & Toxic Enforcement Act of 1986. Commonly referred to as Proposition 65, this Act establishes a list of chemicals known by the State of California to present a risk of cancer, birth defects, or other reproductive harm.


Chemical exposure typically occurs through inhalation, ingestion, or adsorption. PolyJohn products are not intended to be used in these methods. PolyJohn Corporation cannot foresee all uses of their products (both intended and unintended uses) and as a result has opted to provide a general warning of known chemical presence.

The Proposition 65 chemical list can be found at <http://www.P65Warnings.ca.gov>

The following warnings are labels placed on affected products. If these labels are not present then they do not apply to that product.

 **WARNING:** This product can expose you to chemicals including 4-Vinylcyclohexene which is known to the State of California to cause cancer and birth defects or other reproductive harm. For more information go to www.P65Warnings.ca.gov.

4-Vinylcyclohexene label above to be used any product made with Bayblend T85

 **WARNING:** This product can expose you to chemicals including titanium dioxide, which is known to the State of California to cause cancer. For more information go to www.P65Warnings.ca.gov.

Conflict Minerals Compliance Statement

Section 1502 of the Dodd-Frank Wall Street Reform and Consumer Protection Act, and the Securities and Exchange Commission Rules adopted in connection therewith, require certain corporations to report the use of "Conflict Minerals" in the manufacture of their products. Generally, Conflict Minerals collectively refers to cassiterite, columbite-tantalite, gold, wolframite, or their derivatives, including tantalum, tin and tungsten, which originate from the Democratic Republic of the Congo or specified adjoining countries (referred to herein as "Covered Countries").

While we, as a privately held corporation, are not subject to the Conflict Minerals rules and reporting requirements, we understand that our customers may be, and we are committed to helping our customers comply with their reporting requirements. In order to determine if our manufactured products contain Conflict Minerals, we have asked our relevant suppliers, as of September 1, 2020, to ascertain their use of any Conflict Minerals in the materials they supply to us. Their responses demonstrate that our relevant suppliers (i) do not use Conflict Minerals in the materials they supply to us, (ii) have no reason to believe the Conflict Minerals they use may have originated in the Covered Countries, and/or (iii) reasonably believe that the Conflict Minerals they use are from recycled or scrap sources. Consequently, we can in turn represent that, to the best of our knowledge, our manufactured products either do not contain Conflict Minerals, or to the extent they may, such products are "DRC conflict free" as defined by paragraph (e)(4) of Section 1502.

We will continue to work with our key suppliers to ensure that we are able to identify the use of Conflict Minerals in our supply chain, and the representations made in this compliance statement remain accurate. To that end, we reserve the right to amend this statement at any time based on subsequent developments or information.

Should you have any questions or concerns regarding this statement, please do not hesitate to contact us.

FREQUENTLY ASKED QUESTIONS

FLEET™ SERIES SINK
FS3-0026

Sinks

Q: How do I know if my sink is full?

A: There is not a fill level indicator on the sinks. So you either have to view down into the fill port or wait until you see water come from the top of the unit. There are also some units with a weep hole that will show when you have reached the highest-level capacity.

Q: My sink is leaking, what do I do?

A: Many times, there might not be a leak. Water displacement can cause sink to appear to be leaking. There is a weep hole on some units and if the water capacity goes past that level the water will leak out that hole. It could be that the water is too high. There is also the possibility that water was filled into the sink and then tipped back to transport. If its leaned too far back, then water can come out of the revert holes at the very top of the unit. That being said, there is always a very small chance that there is a manufacturing defect. If all other options have been ruled out, then please visit the PolyJohn Warranty page.

Q: Where is the fill port?

A: Most of our sinks fill ports are colored blue to indicate fresh water. They will be located towards the middle of the unit.

Q: How do I drain my water from the sink?

A: It depends on what sink model you own, but most of them have a fresh water drain port and a gray water drain port at the bottom. Some units like the 4 person wash station and the Encore models have a 4" port that can be suctioned out by a portable toilet operator.

Q: Where do I empty my gray water from the sink?

A: There are certain drains that you should not dump your gray water into. Storms drains for instance. Sewer drains are acceptable. You should always check your localities for regulations for all dumping including that of gray water.

RESTROOMS AND TOILETS

POLYJOHN PORTABLE RESTROOMS LIMITED 3 YEAR PRODUCT WARRANTY

PolyJohn Enterprises Corp. warrants the major plastic parts of its portable restrooms (plastic front, wall panels, roof, and tank) against any breakage or other problems that prevent the PolyJohn portable toilet from functioning in accordance with usual practices used in the portable toilet industry and in their intended manner. This warranty covers any damages in material or workmanship for a total period of 3 years (36 months). This warranty extends only to the original purchaser of the PolyJohn portable restroom. Proof of purchase, serial numbers, and photos will be required.

SINKS, TANKS, TRAILERS AND SANISTANDS

PolyJohn Enterprises warrants our sinks, tanks, trailers and sanistands from the date of purchase. Any misuse or abuse of our products or failure to properly follow recommended procedures shall void this warranty. The warranty is a 1 year limited warranty and a 90 day limited warranty for components thereof.

What is Not Covered By Warranty

This warranty does not cover damage or failure contributed to or caused by: Not following PolyJohn assembly procedures, unauthorized modification, acts of God, mishandling, misuse, use of incompatible solvents or other damaging chemicals, vandalism or accident. In no event shall PolyJohn be liable for labor costs or for incidental or consequential damages.

For full details on PolyJohn's warranty policy, and to view instructions for submitting a claim please visit <https://www.polyjohn.com/warranty/>.

Warranty Disclaimer

PolyJohn's terms of sale are FOB (Free on Board Shipping Point). Meaning buyer takes on responsibility once it leaves PolyJohn's shipping dock. The carrier is wholly responsible for any damage incurred during transit. Important notice: All concealed/non-notated damages must be reported within 5 business days of delivery (1st day is the day of delivery) as per the National Motor Freight Classification (NMFC) – Rule 300100 - for a damaged claim to be filed. Reporting after this time will void a claim.

In order to prevent warranty disputes follow these steps immediately when receiving your products:

Inspect the shipment immediately and insist that visible damages be indicated on your copy of the freight bill. If they are not noted on the freight bill it is very likely a claim will be denied.

Open the shipment if necessary, and inspect for any concealed damages.

If there are any damages that you cannot operate with you may refuse shipment. After you do this contact us immediately

Filing Process for Warranty

PolyJohn reserves the right to request inspection of products for verification of defect, which may include returning some or all of the parts with shipping paid for by the purchaser. Once the items have been returned, inspected, and PolyJohn is found at fault shipping costs will be reimbursed. You may contact PolyJohn to arrange for return shipping if desired.

To file your warranty claim follow these steps:

1. Go to [polyjohn.com/warranty/](https://www.polyjohn.com/warranty/)
2. Fill out necessary contact information
3. Fill in invoice number, date of purchase, product, and product serial numbers.
4. Upload an images of affected products
5. Submit and someone will be in contact with you as soon as possible.

OUR MISSION STATEMENT

FLEET™ SERIES SINK
FS3-0026

“PolyJohn is a family owned, state of the art, plastics manufacturing company dedicated to providing its employees with a work environment committed to excellence, and its customers with innovative products, services and technology that meet or exceed their requirements.”

THANK YOU FOR PURCHASING POLYJOHN PRODUCTS!



POLYJOHN[®]
there when you need us

POLYJOHN USA
+1 800-292-1305
Whiting, Indiana
www.polyjohn.com

POLYJOHN INTERNATIONAL
UNITED KINGDOM
+44 (0) 1937-583333
Yorkshire, England
www.polyjohn.co.uk

POLYJOHN CANADA
+1 800-465-9590
Oro Medonte, Ontario
www.polyjohn.ca
www.fr.polyjohn.ca

POLYJOHN LATIN AMERICA
+01 800-953-1307
Chihuahua, Mexico
www.polyjohn.mx

POLYJOHN AUSTRALIA
+61 7 3277 5727
Brisbane, Australia
www.totalsanitationsolutions.com.au

POLYJOHN SOUTHERN AFRICA
+27 (011) 615-3804
Johannesburg, South Africa
www.polyjohn.co.za

POLYJOHN NEW ZEALAND
+64 (0)22 387 7142
Auckland, New Zealand
www.polyjohn.co.nz

POLYJOHN SOUTH AMERICA
+57 318 696 7744
Bogotá, Colombia
www.polyjohn.com

POLYJOHN INTERNATIONAL
CZECH REPUBLIC
+420 608 876 983
Karlovy Vary, Czech Republic
www.polyjohn.eu