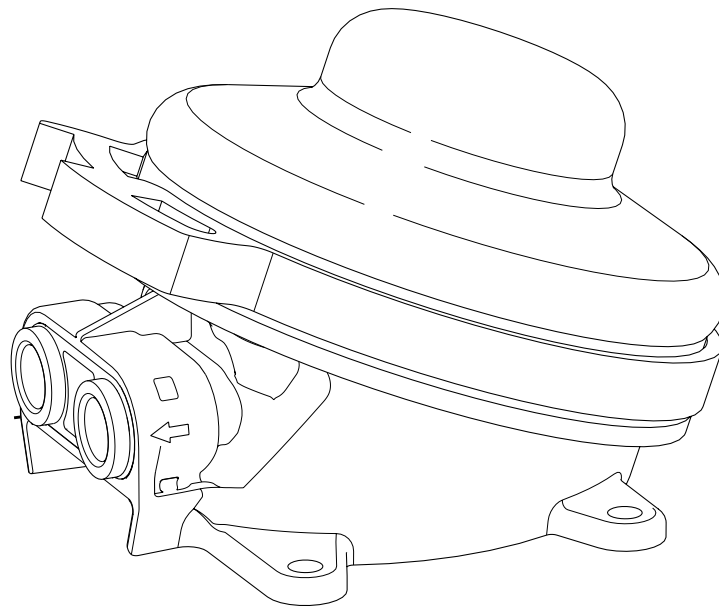
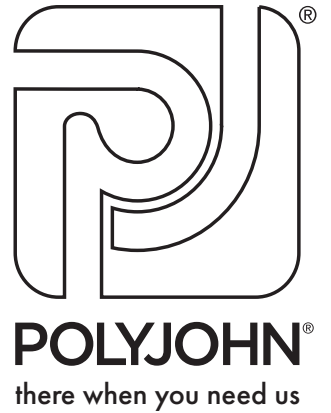


PJ BABY FOOT PUMP II

PRODUCT INSTRUCTIONS



GENERAL PRODUCT OVERVIEW

The PC-100600 - PJ Baby Foot Pump II is a small foot pump with 3/8" inlet and outlet ports designed to be used with 3/8 push in tubing. Mostly used for washing in a hands free sink, this pump can be used in a variety of applications. The pump has a built in check valve that will hold a prime between uses. This pump is meant to be a direct replacement of the PC-000600 Baby Foot Pump. If you are using this pump to replace the previous model, a 12" length of tubing is supplied with the pump. NOTE: An arrow is imprinted on the side of each port to indicate whether it is the inlet or outlet port. The port with the arrow facing towards the housing is the inlet port and the port with the arrow facing away from the housing is the outlet port.

PUMP REPLACEMENT

CONNECTING/DISCONNECTING THE PUMP:

1. Unfasten the plate the the pump is mounted on from the sink and disconnect the tubing from the pump. This is achieved by pushing in on the collet (the ring where the tubing enters the fitting) and then pulling the tubing out of the fitting.
2. If the pump is held onto the mounting plate with rivets, use a drill with a 13/64" drill bit and drill out the rivets holding the pump to the plate.
3. Remove the old intake tube from the sink. This will be the one that connected to the right side port of the foot pump. You may have to use a plyers to pull it out of the uniseal.
4. Cut the tube that was supplied with your replacement foot pump to 1" longer than the intake tube that you removed from the sink.
5. Use a marker and make a mark on one end of the new tube 1" from the end of the tube.
6. Use a little bit of dish soap around the uniseal and marked end of the new intake tube and insert it into the uniseal up to the mark. This will be a tight fit.
7. Re-fasten the new foot pump to the mounting plate (if required).
8. Push in the intake and discharge tubes into the new foot pump. Be sure to push the tubes in by at least 3/4" to make sure a proper seal.
9. Mount the foot pump plate to the bottom of the sink.

SERVICE / MAINTENANCE INFORMATION

REPLACING THE FP1-0021 - FLOW VALVES:

1. Unfasten the plate that the pump is mounted on from the sink and disconnect the tubing from the pump.
2. Using a flathead screwdriver, pry the PC-000353 - Hose Clamp loose from the FP1-0020 - Pump Diaphragm, and pull the diaphragm off of the foot pump.
3. Remove the FP1-0002 - Spring Button and FP1-0040 - Spring.
4. Using a small screwdriver, pry the FP3-0004 valve clip from the body of the foot pump.
5. Pull the valves from the valve clip.
6. Reinstall the new valves in the valve clip in the same orientation as the old ones were removed.
7. Press the valve clip into the foot pump body. Be careful to press evenly on both sides so that the clip is installed evenly. Press the valve clip completely down so that it is fully inserted into the foot pump body.
8. Reassemble the pump in the reverse order.

REPLACING THE O-RINGS AND COLLETS:

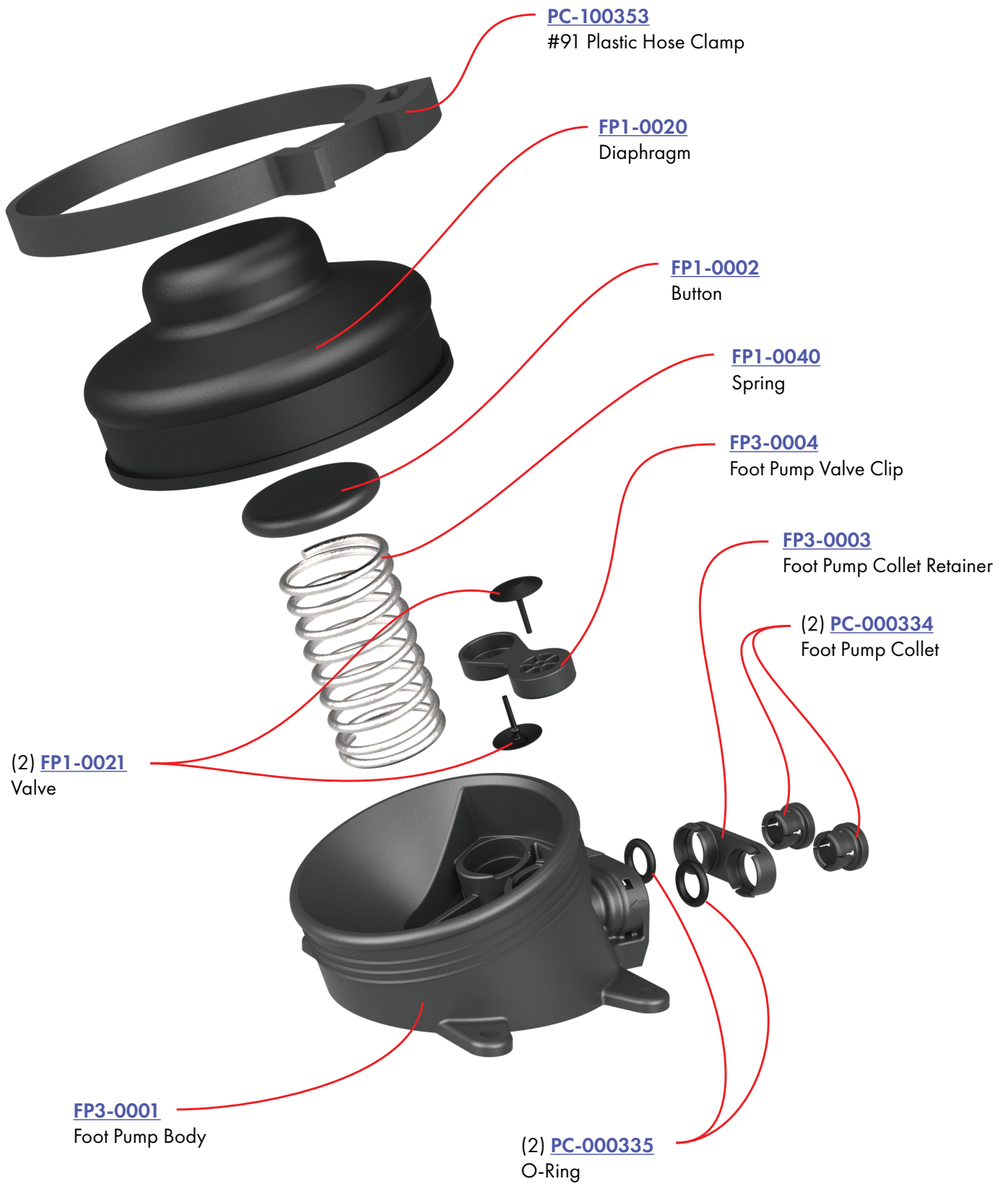
1. Unfasten the plate that the pump is mounted on from the sink and disconnect the tubing from the pump.
2. Pull the collet out of the end of the intake and discharge fittings.
3. Using something small such as a small screwdriver, pry the o-rings out of the end of the ports.
4. Insert the new o-rings and collets into the end of the fittings.

WINTERIZING

- Drain all water from the tank.
- Depress the foot pump to clear the lines.
- An RV & Marine Anti-Freeze may be used to flush through the pump.

NOTE: For use during winter months, use with brine to keep from freezing and possibly insulating the pipes and pump.

PARTS DIAGRAM



OUR MISSION STATEMENT

“PolyJohn is a family owned, state of the art, plastics manufacturing company dedicated to providing its employees with a work environment committed to excellence, and its customers with innovative products, services and technology that meet or exceed their requirements.”

THANK YOU FOR PURCHASING POLYJOHN PRODUCTS!



POLYJOHN[®]
there when you need us

POLYJOHN USA
+1 800-292-1305
Whiting, Indiana
www.polyjohn.com

POLYJOHN INTERNATIONAL
UNITED KINGDOM
+44 (0) 1937-583333
Yorkshire, England
www.polyjohn.co.uk

POLYJOHN CANADA
+1 800-465-9590
Oro Medonte, Ontario
www.polyjohn.ca
www.fr.polyjohn.ca

POLYJOHN LATIN AMERICA
+01 800-953-1307
Chihuahua, Mexico
www.polyjohn.mx

POLYJOHN AUSTRALIA
+61 7 3277 5727
Brisbane, Australia
www.totalsanitationsolutions.com.au

POLYJOHN SOUTHERN AFRICA
+27 (011) 615-3804
Johannesburg, South Africa
www.polyjohn.co.za

POLYJOHN NEW ZEALAND
+64 (0)22 387 7142
Auckland, New Zealand
www.polyjohn.co.nz

POLYJOHN SOUTH AMERICA
+57 318 696 7744
Bogotá, Colombia
www.polyjohn.com

POLYJOHN INTERNATIONAL
CZECH REPUBLIC
+420 608 876 983
Karlovy Vary, Czech Republic
www.polyjohn.eu